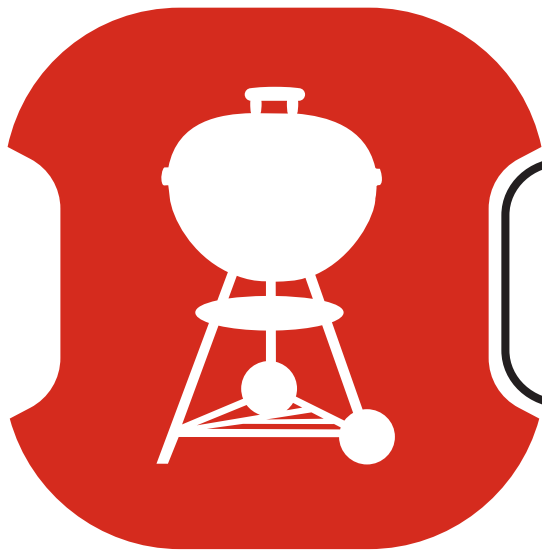


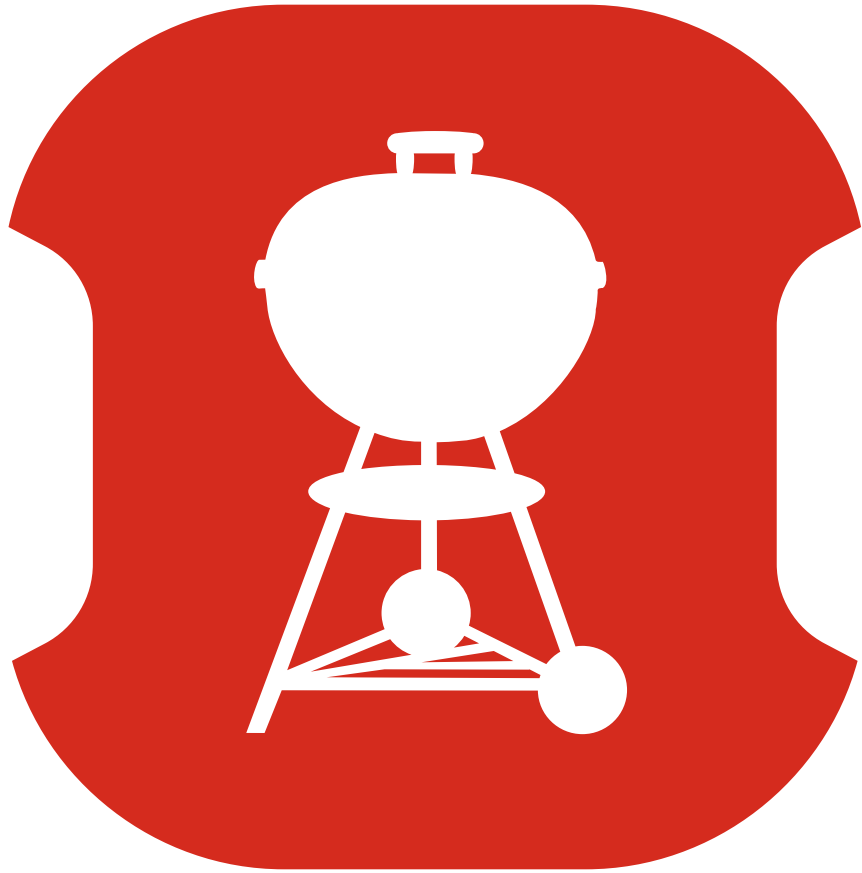


Welcome to



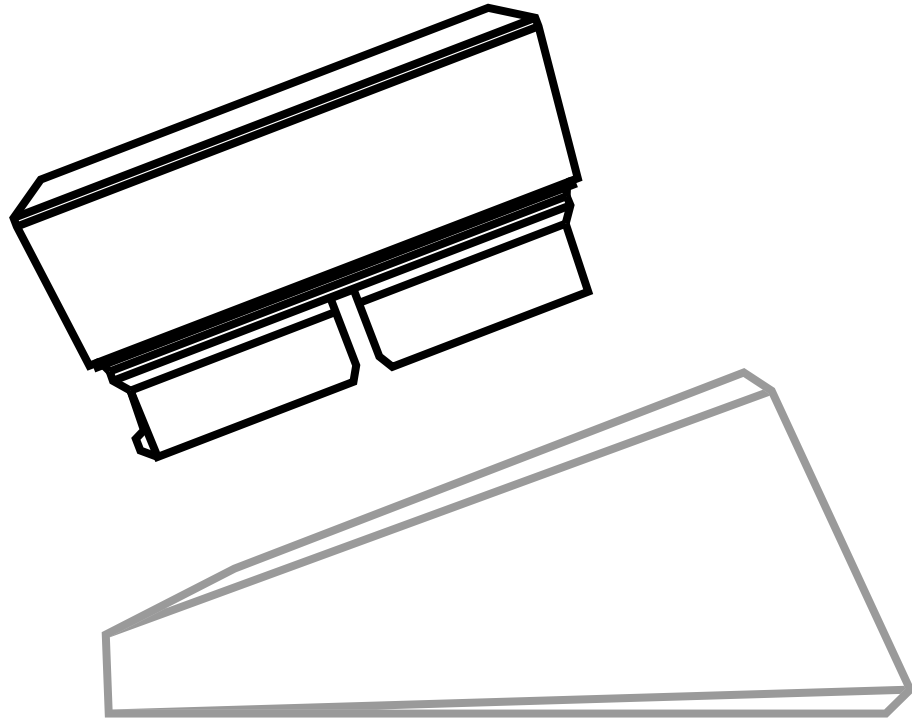
**iGrill** mini

**QUICK START GUIDE**



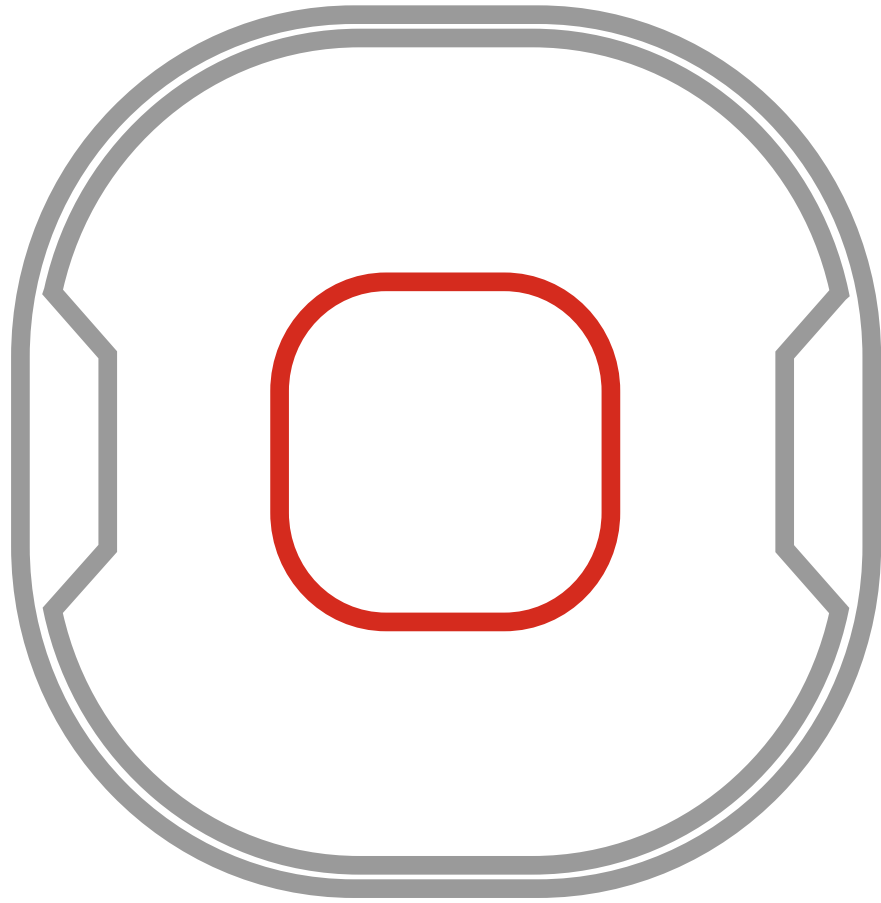
Download the Weber<sup>®</sup>  
iGrill<sup>®</sup> App





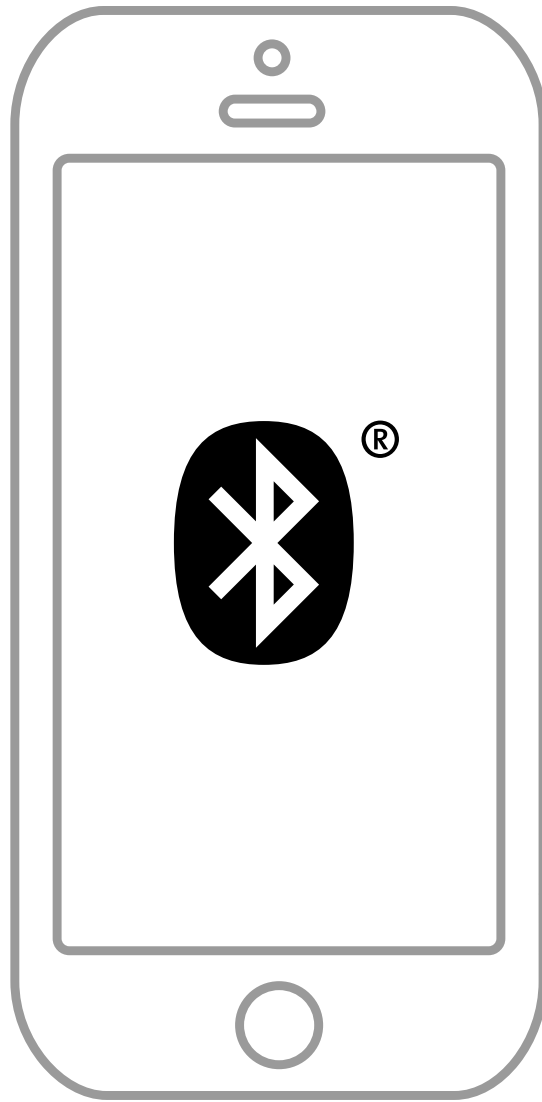
Remove top unit from  
base, pull tab

2



Press and release the  
power button

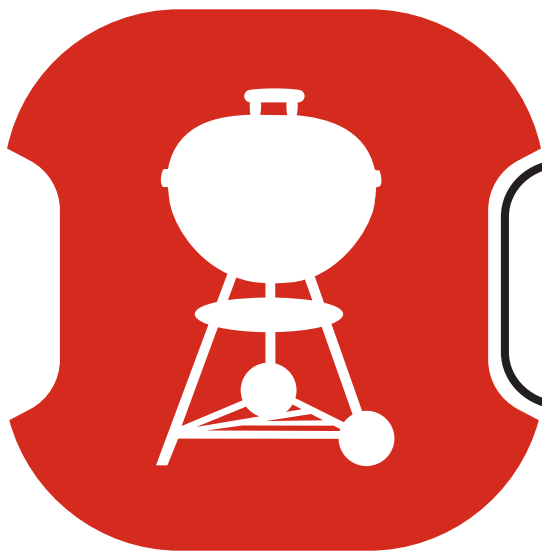
3



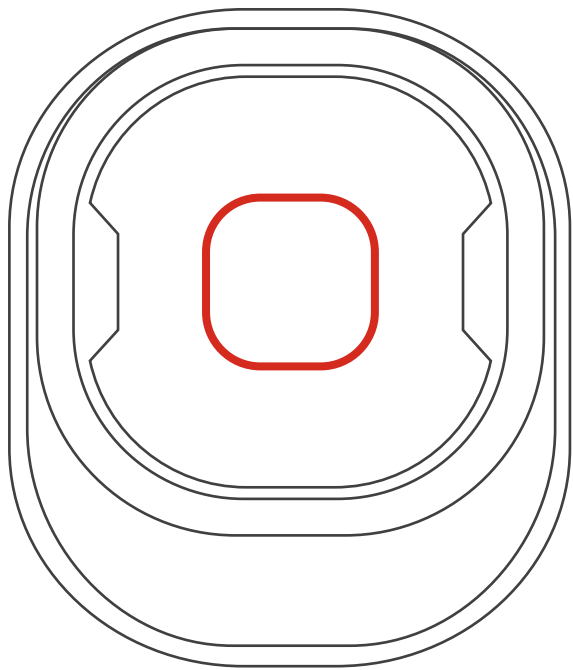
Launch app and connect  
through Bluetooth<sup>®</sup>

4

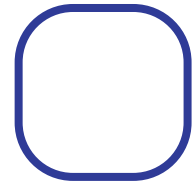
Getting To Know Your



**iGrill** mini

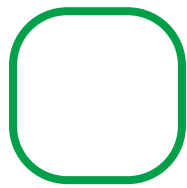


## Connection

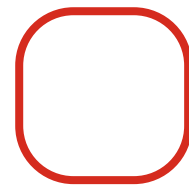
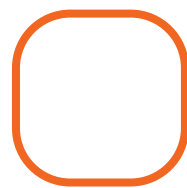
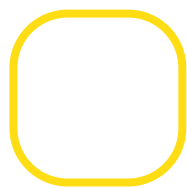


Flashing: Ready to pair  
Solid for 5 seconds: Paired

## Peak Preset

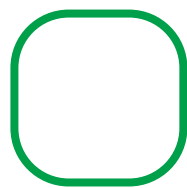


Initial

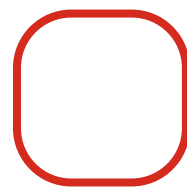


Target  
(Flashing)

## Range Preset



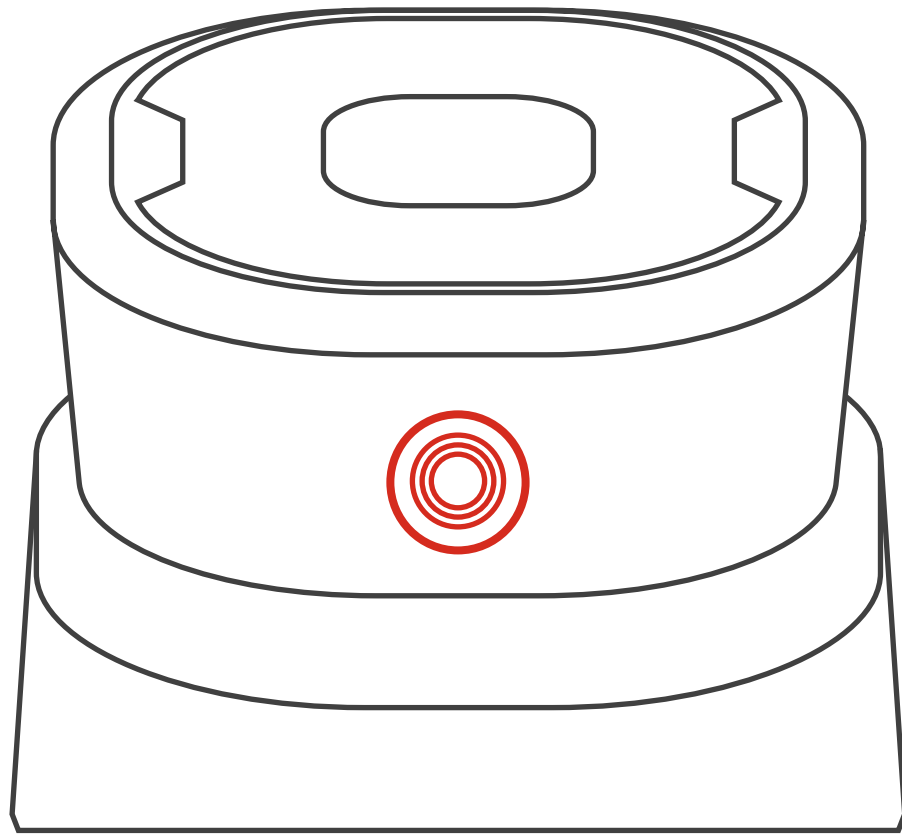
In



Out  
(Flashing)

# Smart LED

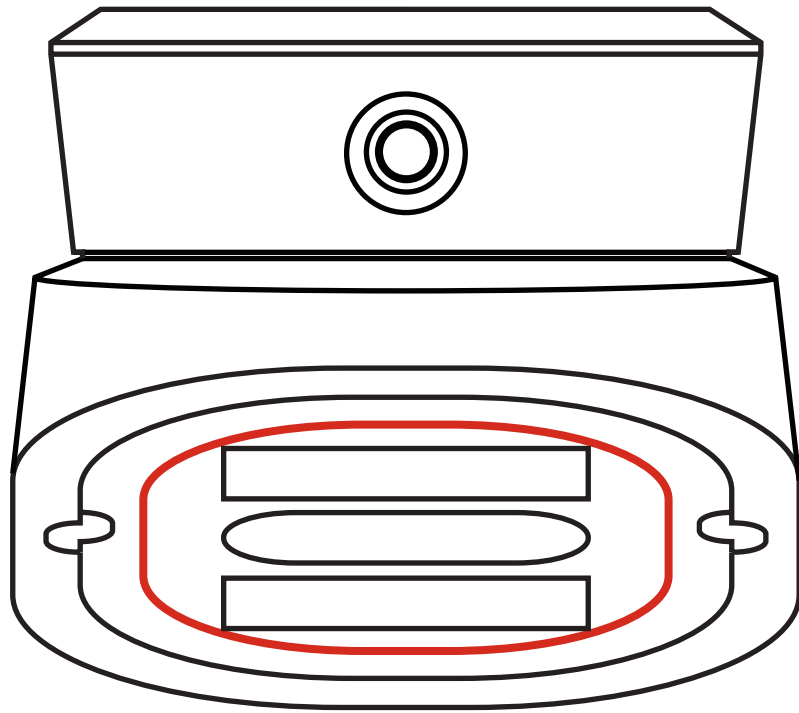
Indicates when paired, temperature progression and temperature out of range



## Probe Insert

Single probe insert for meat probe or ambient temperature probe

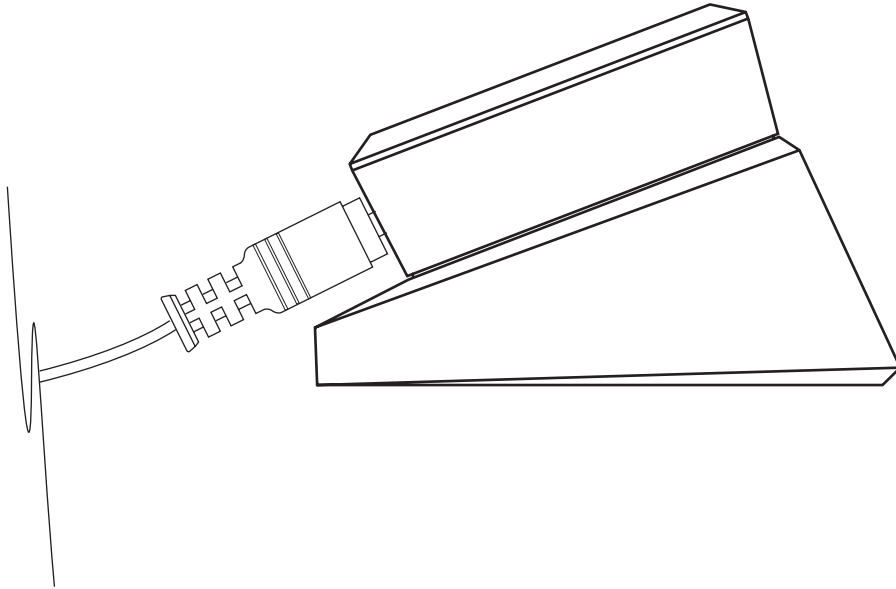




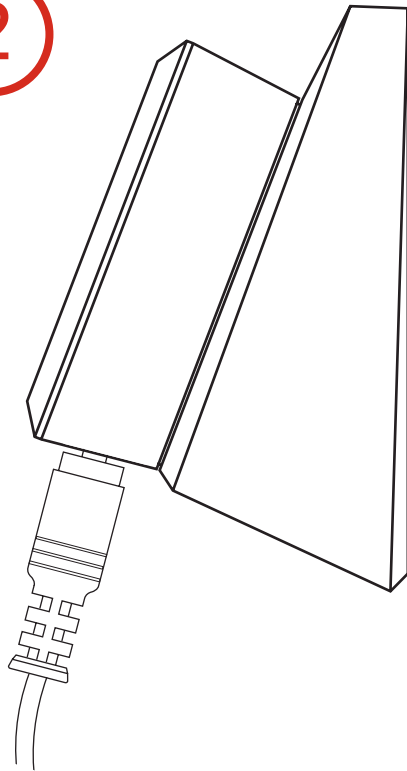
## Magnetized Mounting

Place almost anywhere with built-in magnet or optional magnetic disc

①

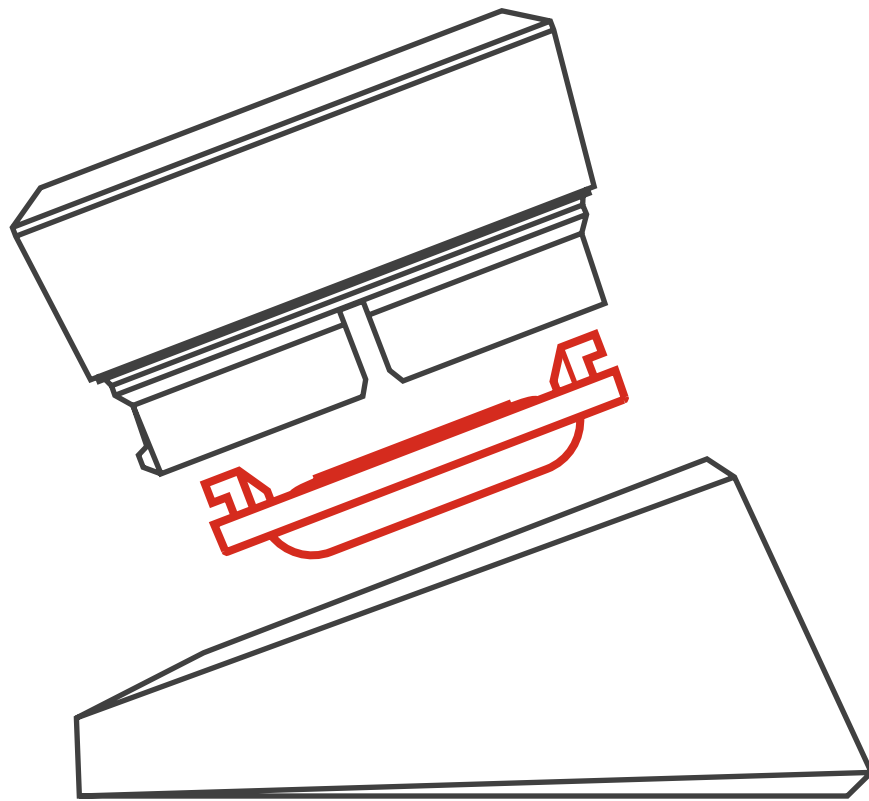


②



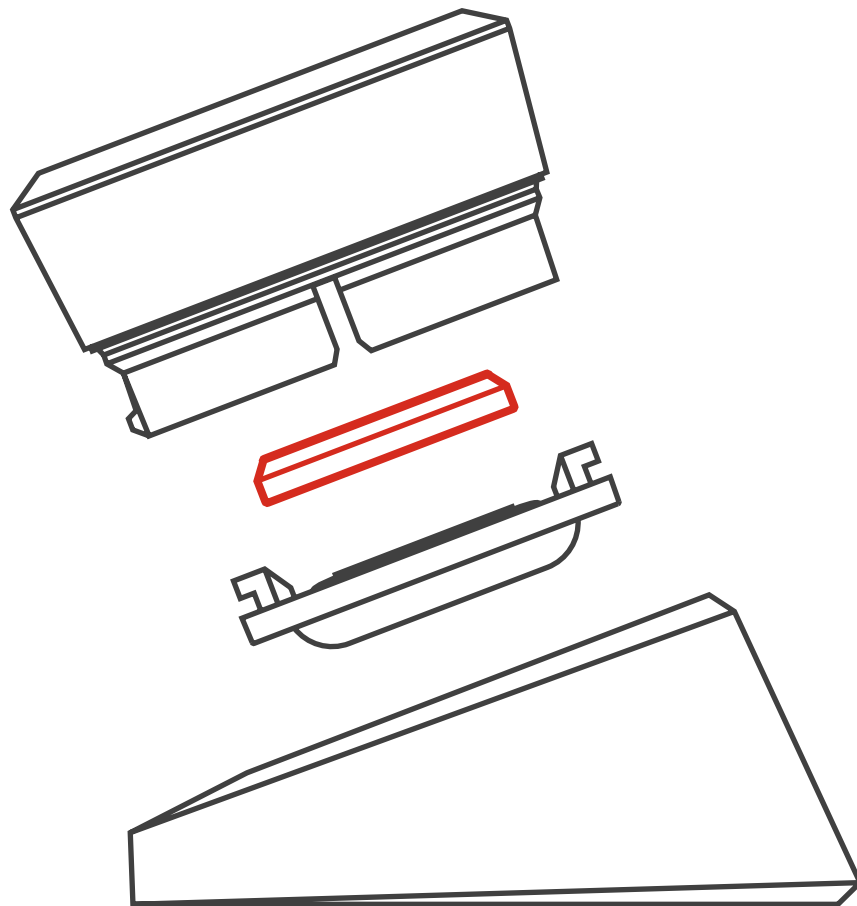
## 2 Viewing Angles

Choose from two viewing positions by rotating the main unit 180 degrees



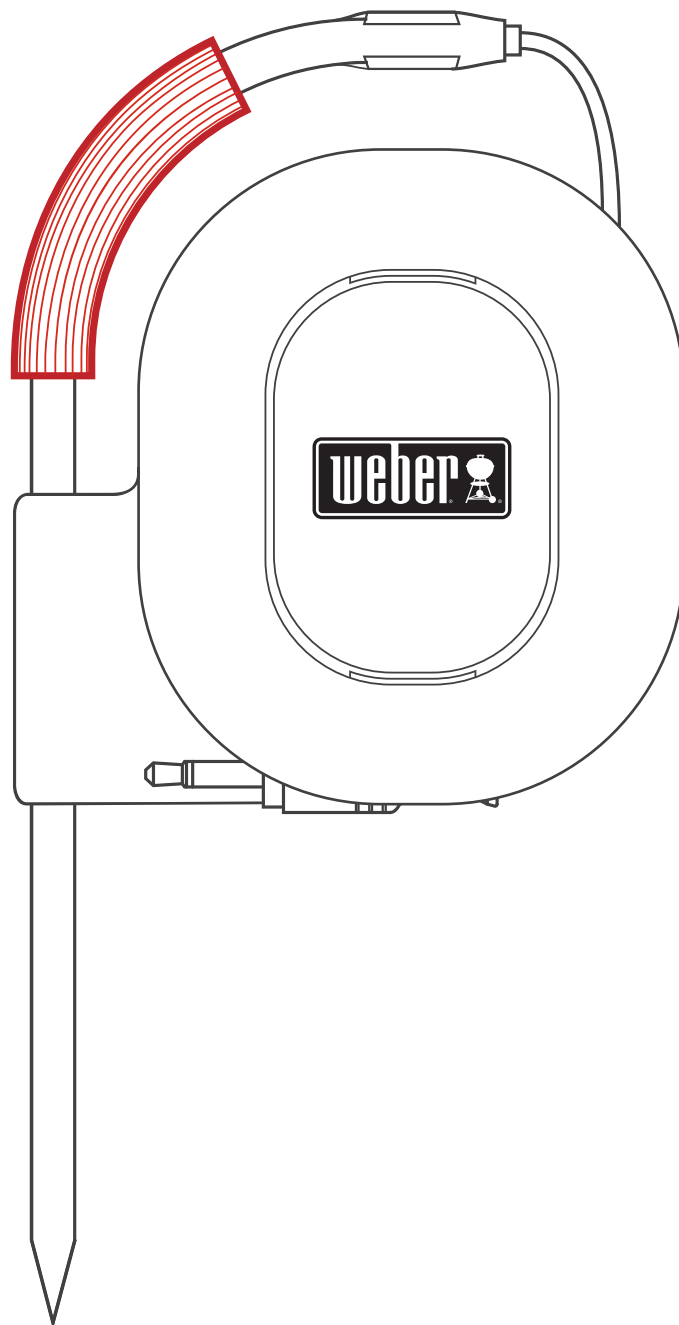
Battery Cover

Twist to remove



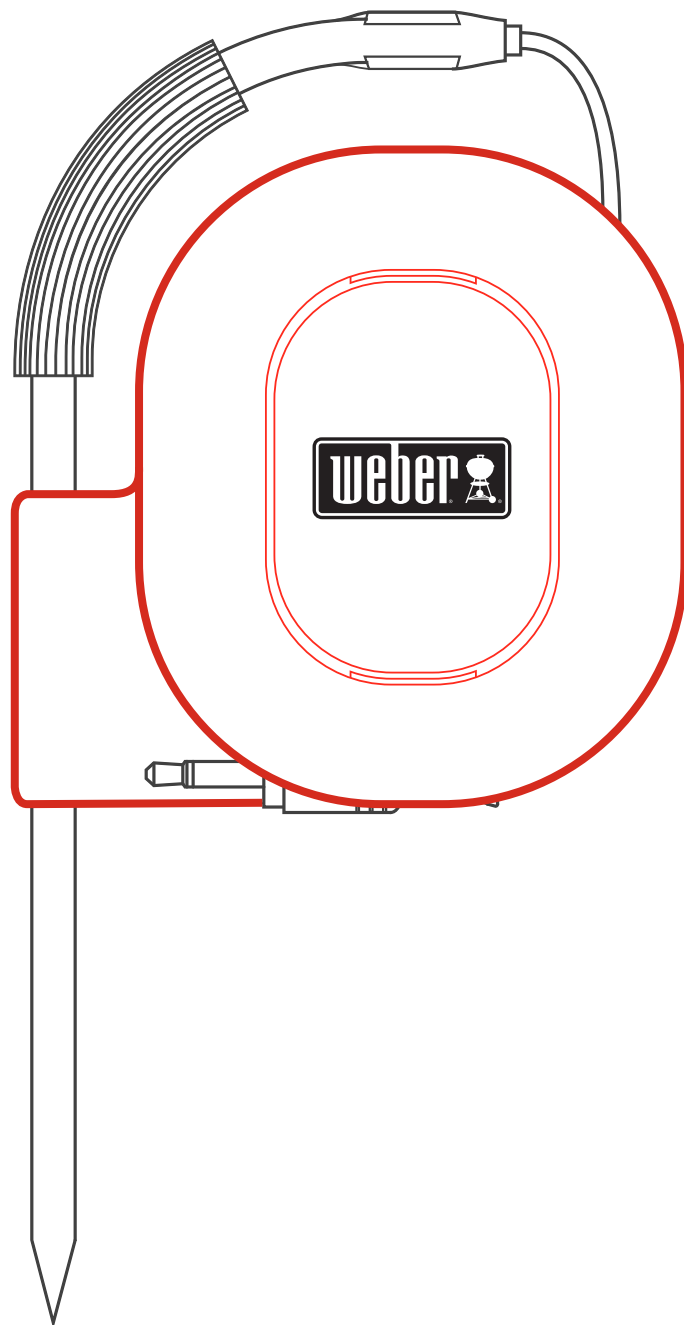
# Battery

Replaceable CR2032 coin cell battery  
(included)



## Coloured Probe Indicator

Easily identify each probe reading within the app



## Probe Wrap

Neatly wrap and store your probes on the back of your unit when it's not in use

## WARNING

Coloured probe indicators not intended to be used as heat safety grips. Probes are NOT dishwasher safe.



NOTE: The magnetic base is not designed to withstand high heat and it must be placed on a cool surface. If the surface is too hot to touch, it's too hot for the Weber® iGrill® base!

**Supported Devices:** App requires a Bluetooth® Smart Ready device. Check [support.weber.com/igrill-support](http://support.weber.com/igrill-support) for a list of compatible devices.

### Operation Is Subject To The Following Two Conditions:

(1) This device may not cause interference, and (2) This device must accept any interference, including interference that may cause undesired operation of this device.

App Store is a service mark of Apple Inc. The Bluetooth word mark and logos are registered trademarks owned by Bluetooth SIG Inc.



59317\_092816