

Welcome to

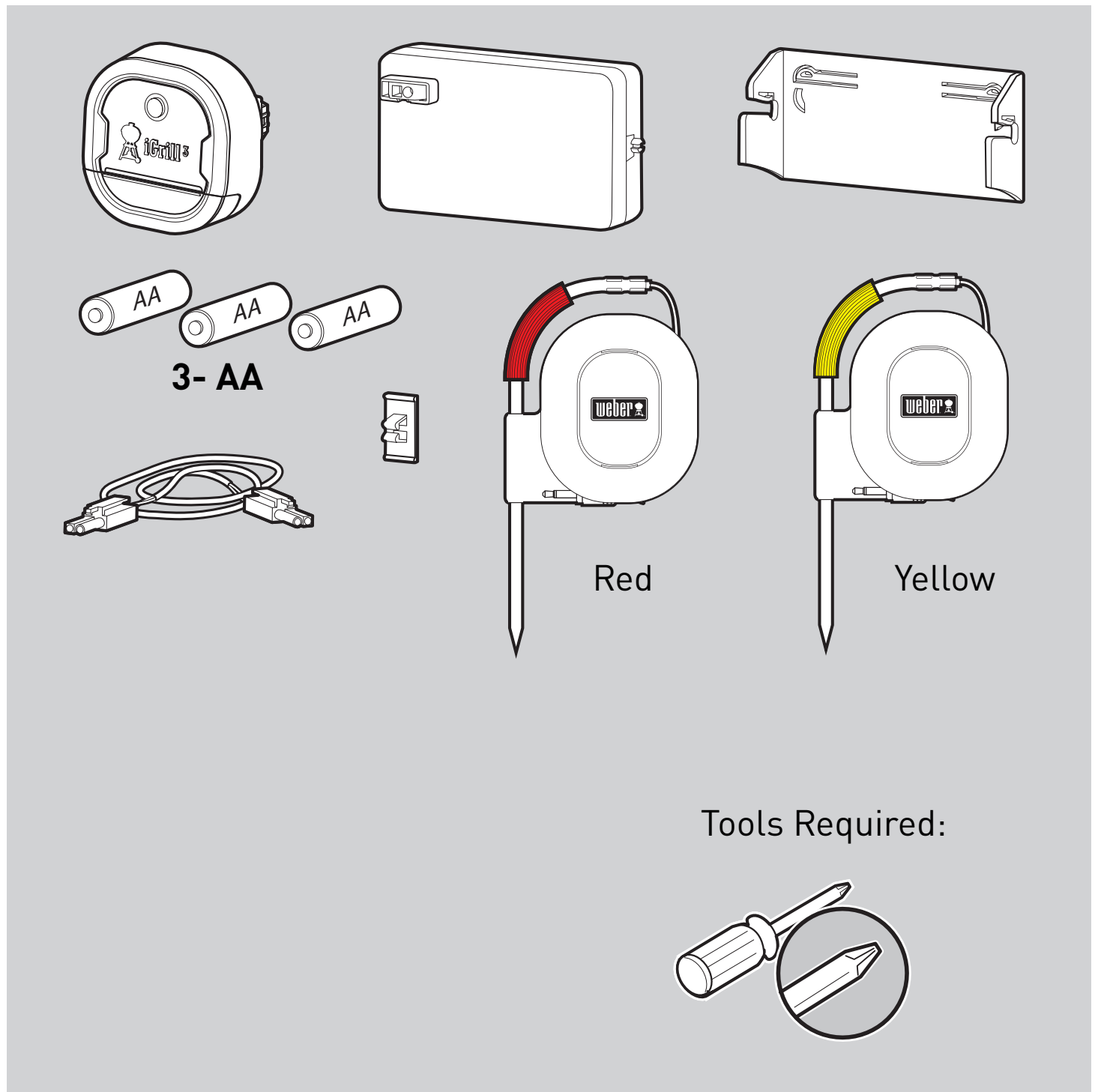


INSTALLATION AND QUICK START GUIDE



Bluetooth® Connected Thermometer

Parts List:



Follow the steps that apply to your specific barbecue model:

GENESIS II

- or -

**GENESIS II
LX**

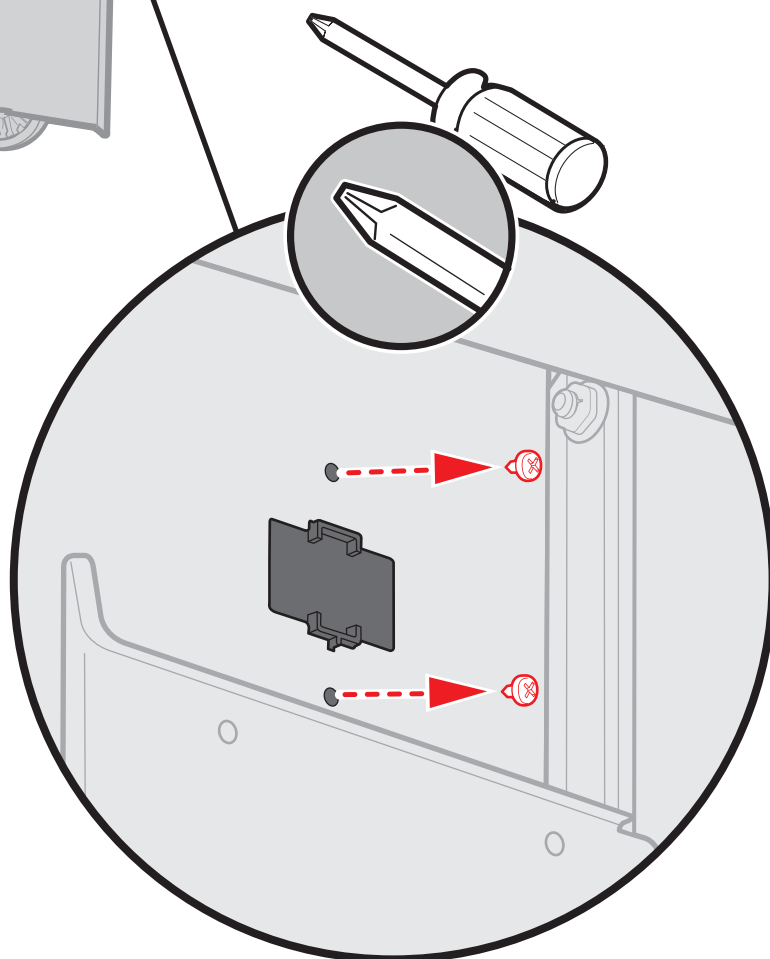
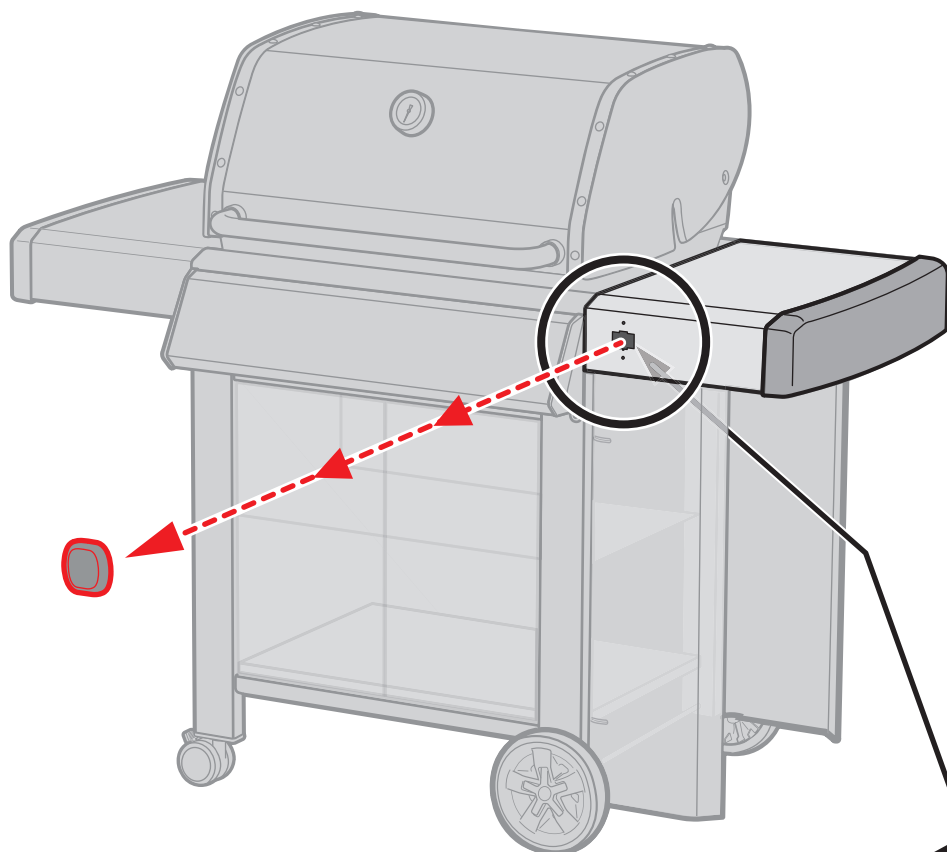
1



Remove "iGrill 3 ready" plate.

GENESIS II

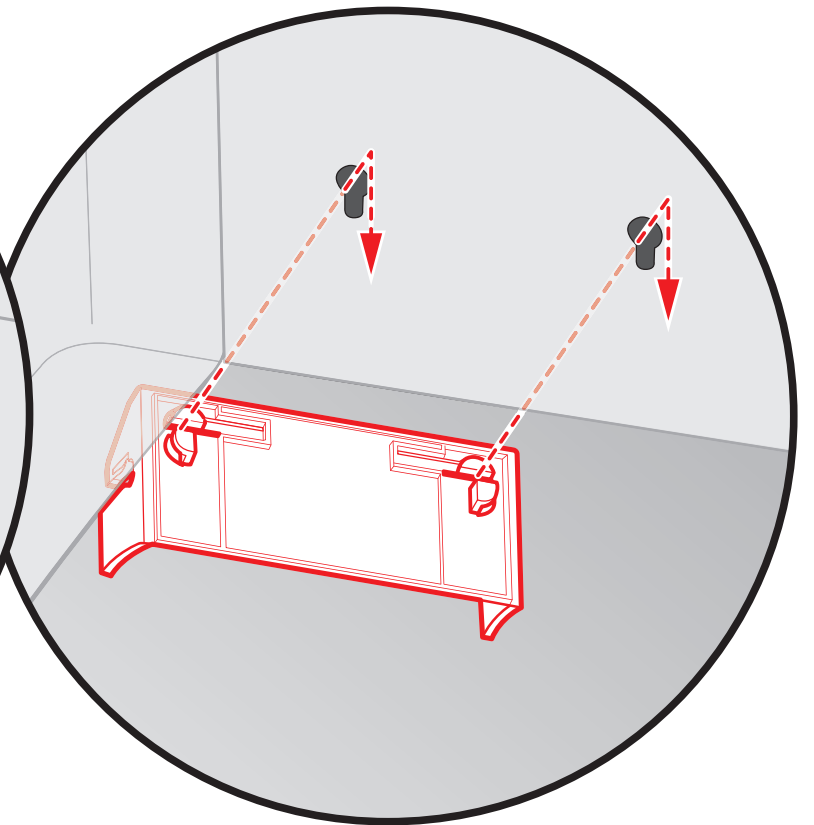
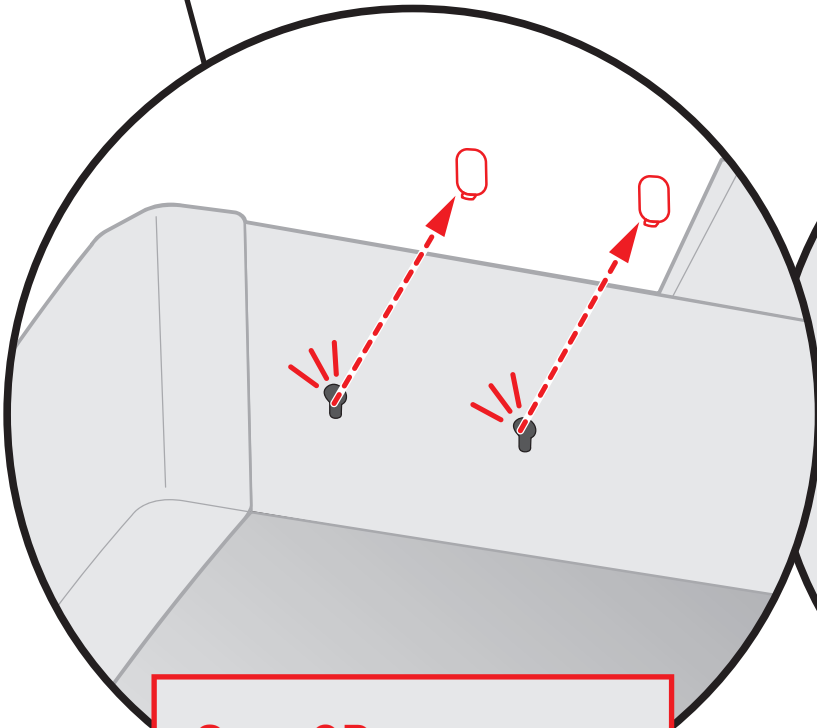
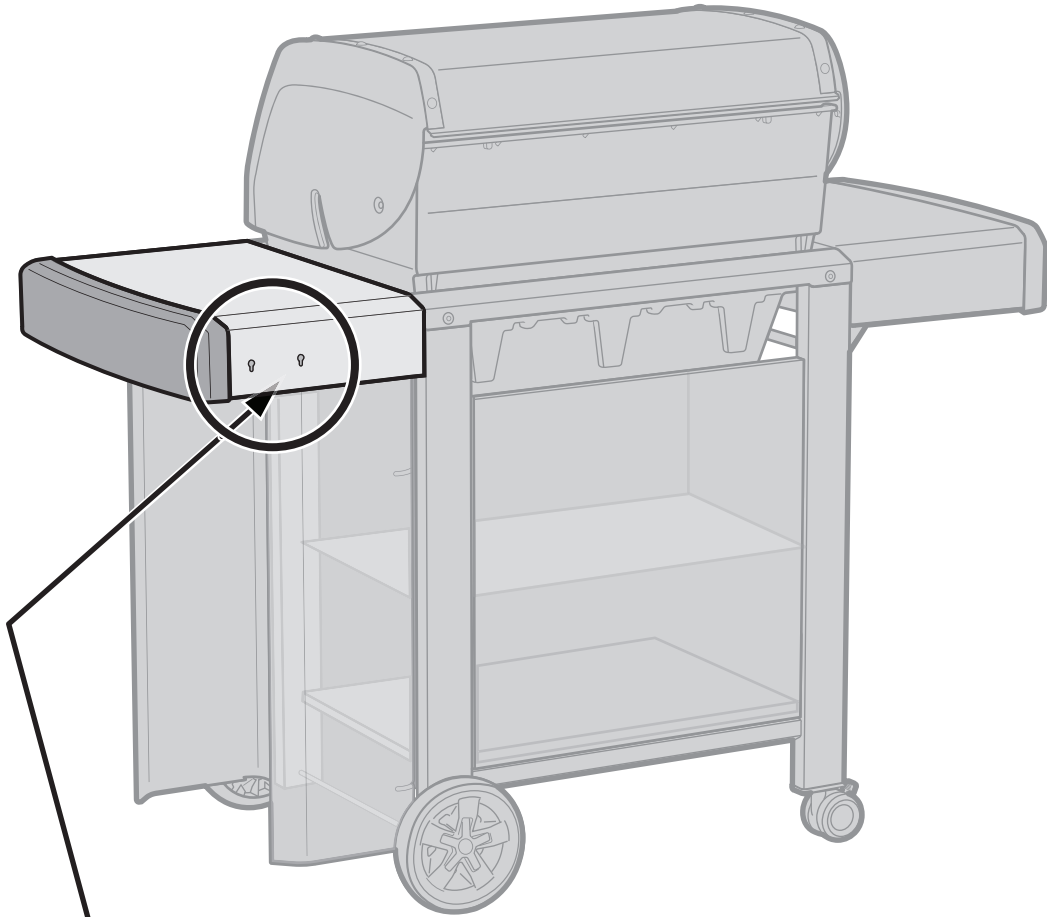
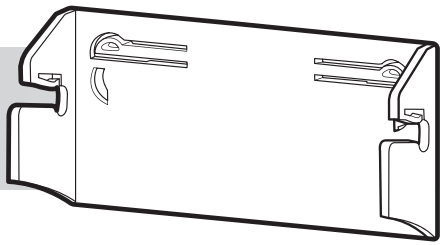
GENESIS II
LX



**Save OR
recycle parts:**



2

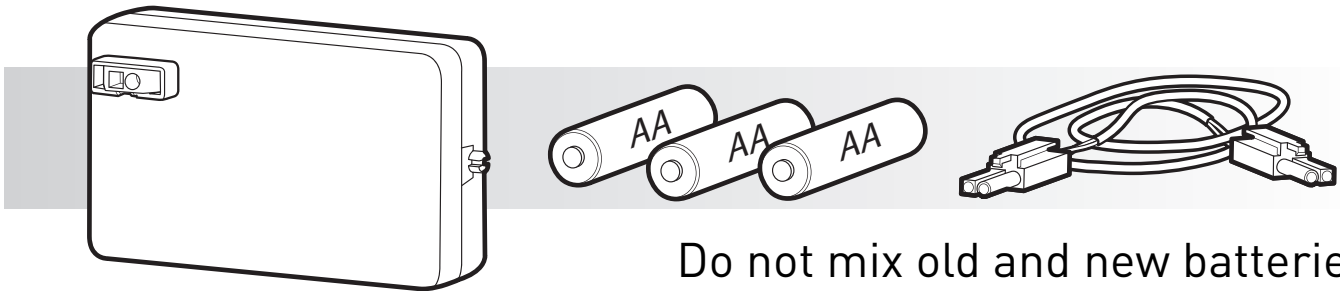


Save OR
recycle parts:

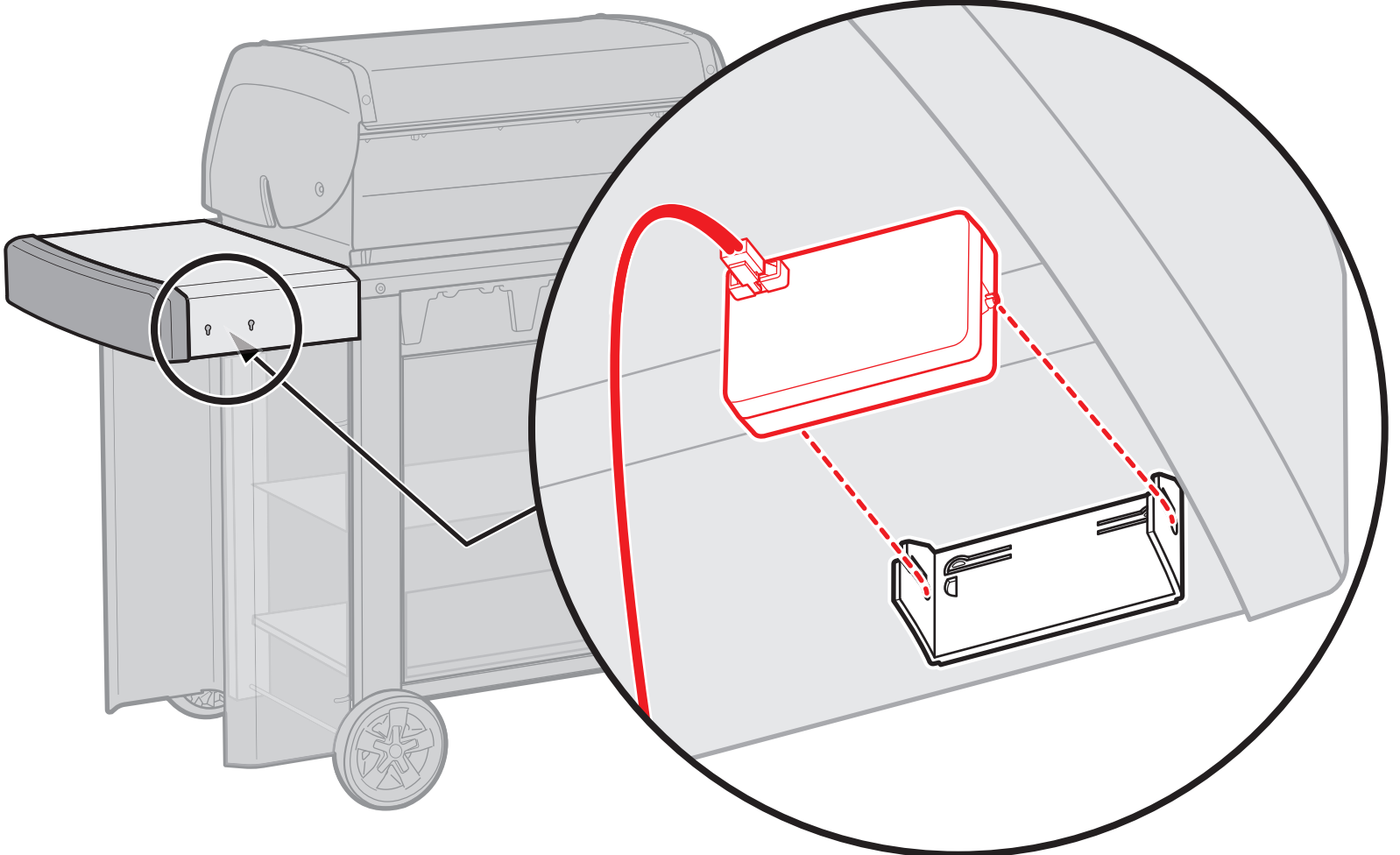
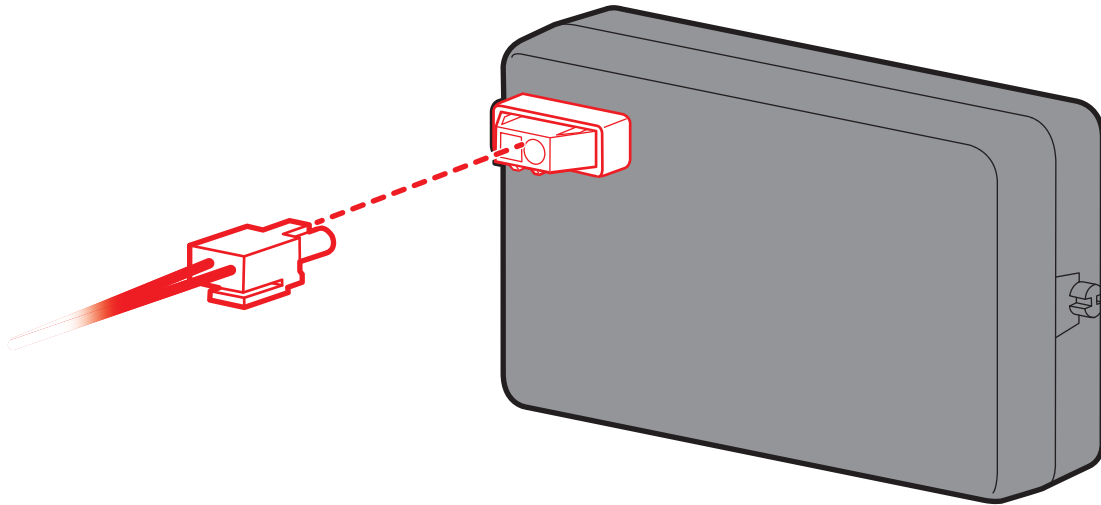
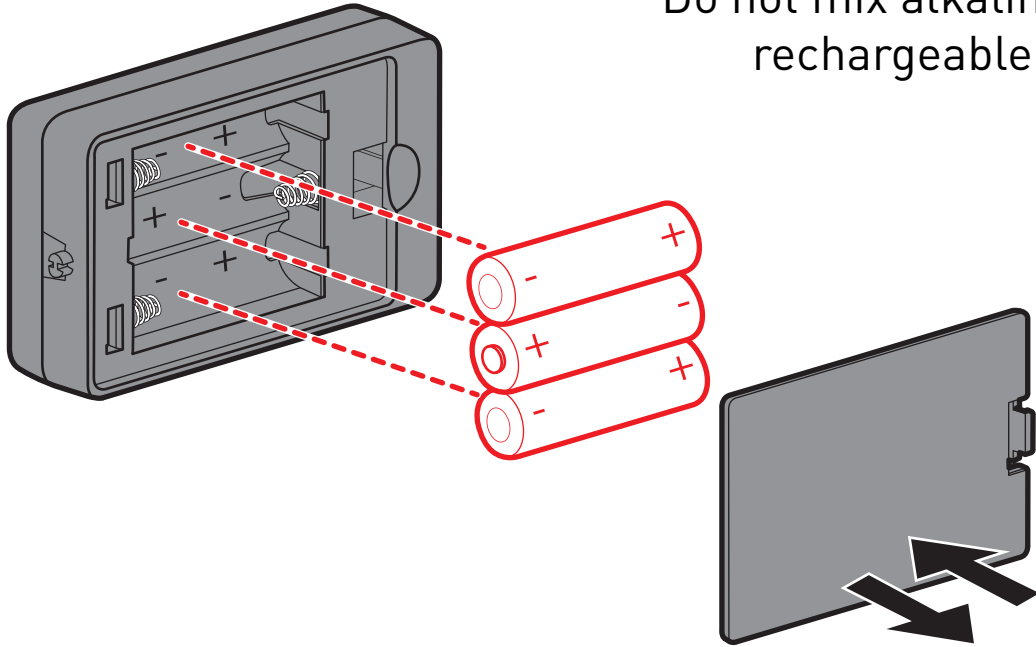
Two screws and a recycling bin icon.

Install bracket underneath
side table.

3

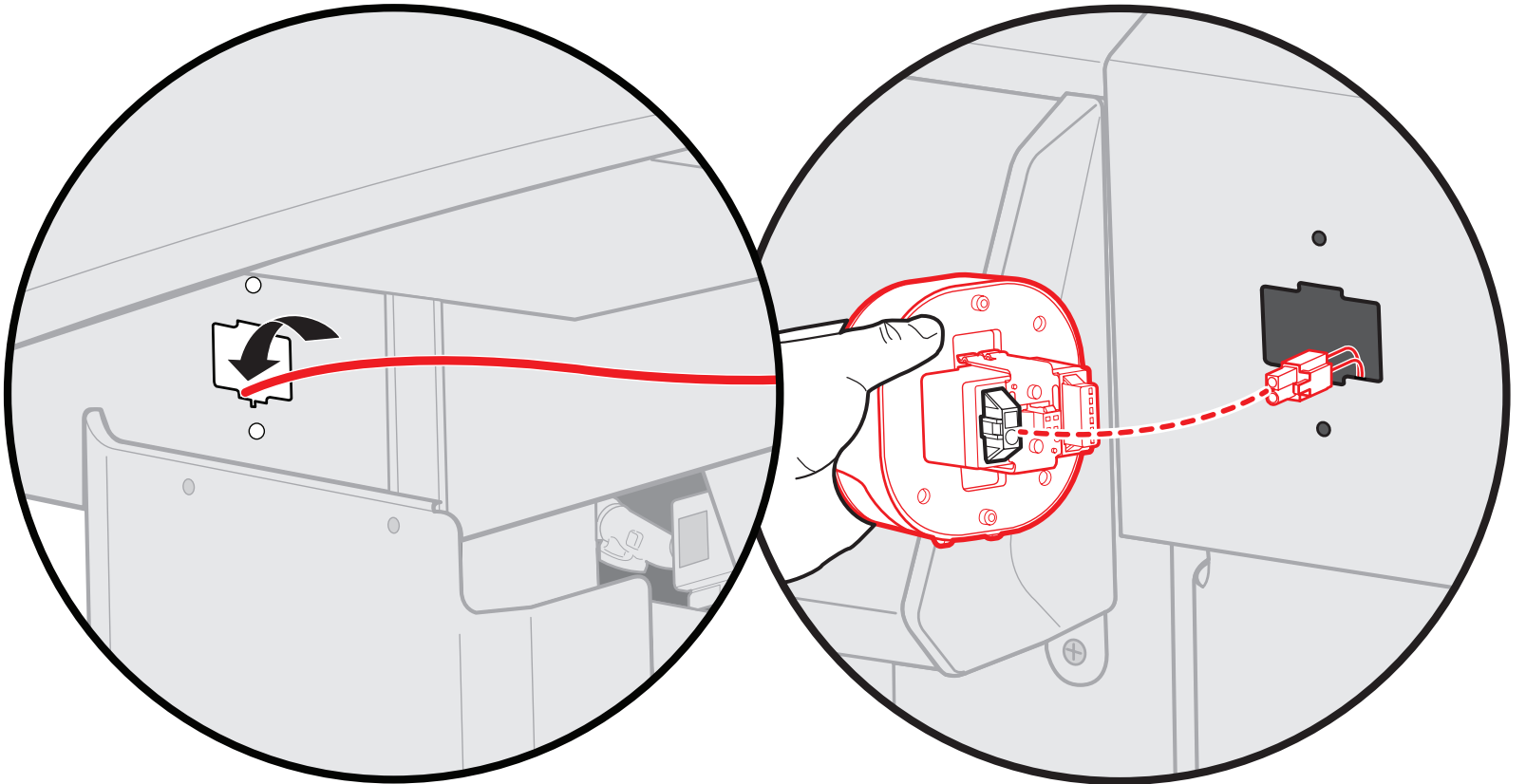
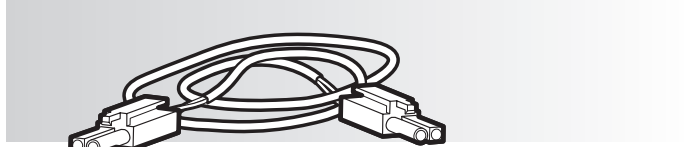
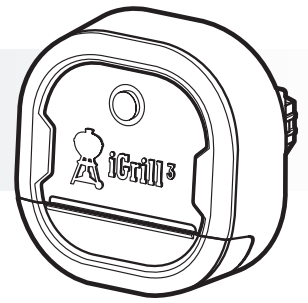


Do not mix old and new batteries.
Do not mix alkaline, standard or rechargeable batteries.



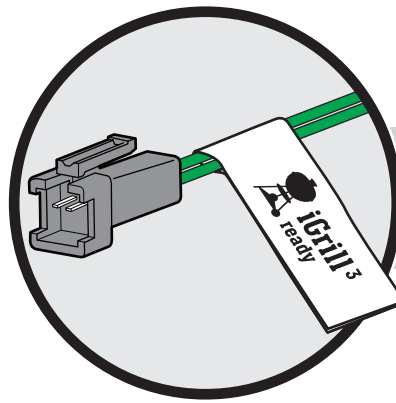
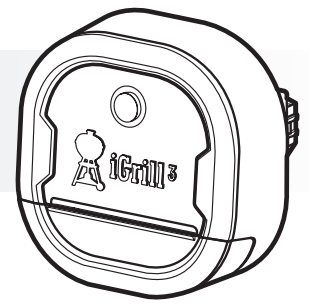
4

Battery Cable Connection



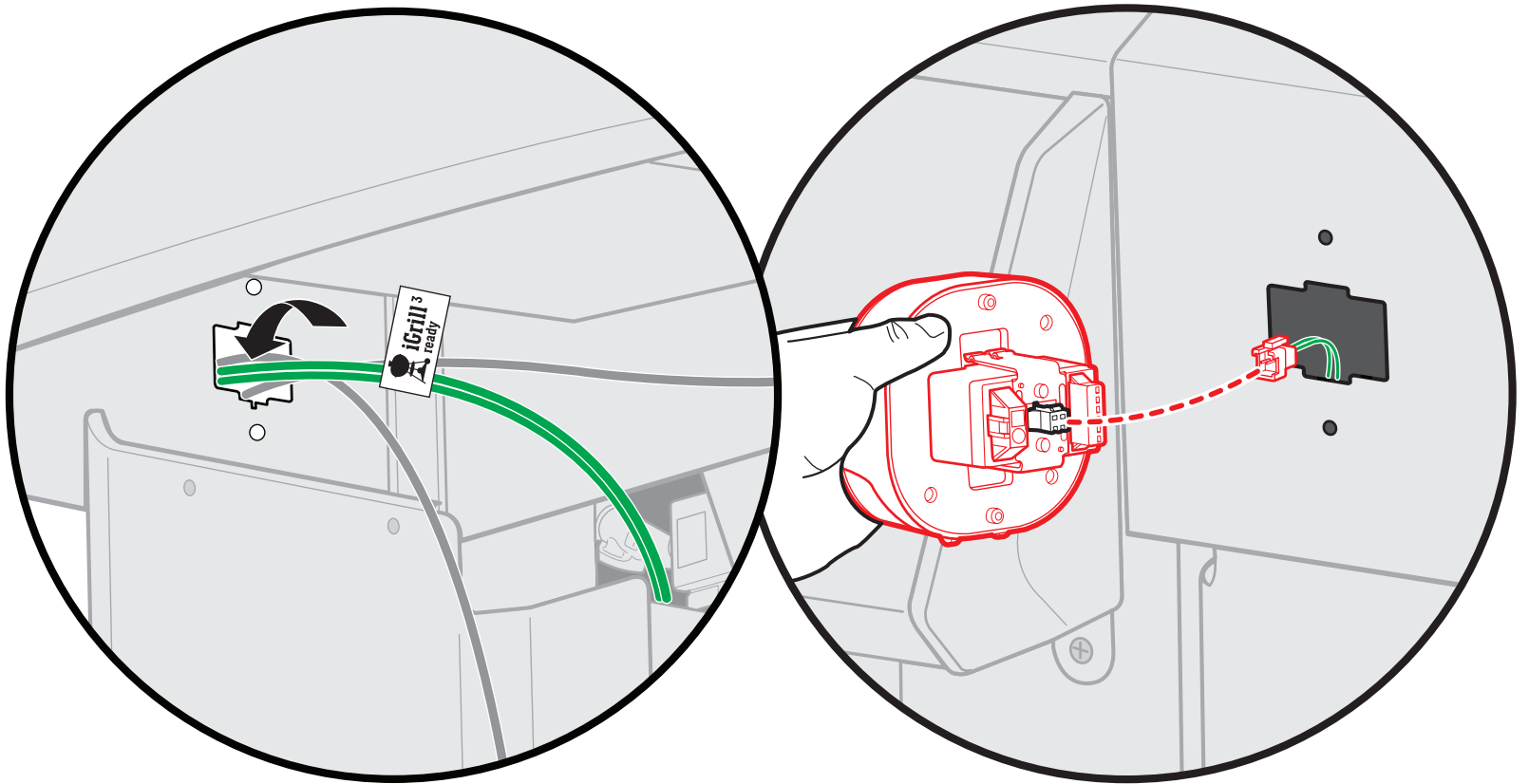
5

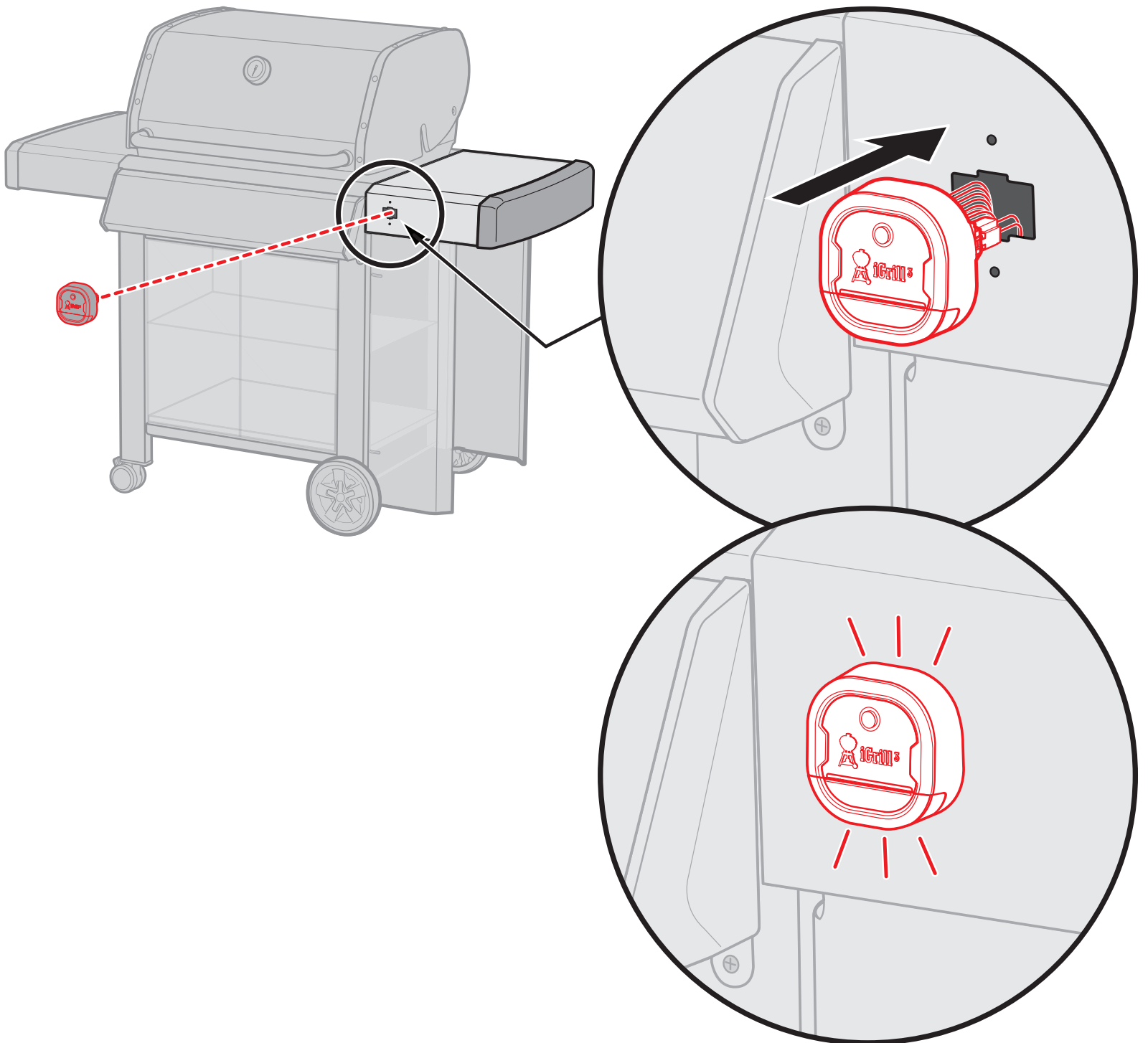
Lighted Control Knob Connection



GENESIS II
LX

Pre-installed on
Genesis® II LX only.





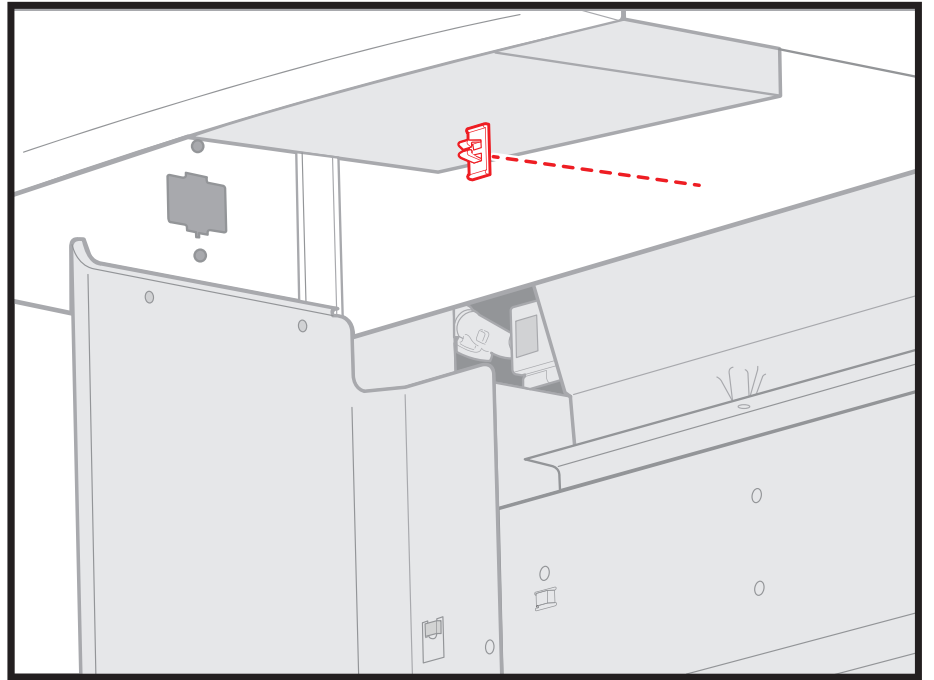
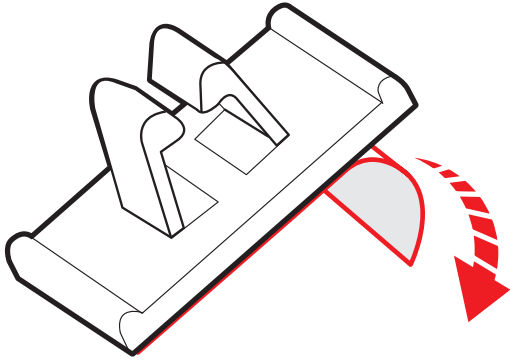
Snaps into place.
No screws required.

7

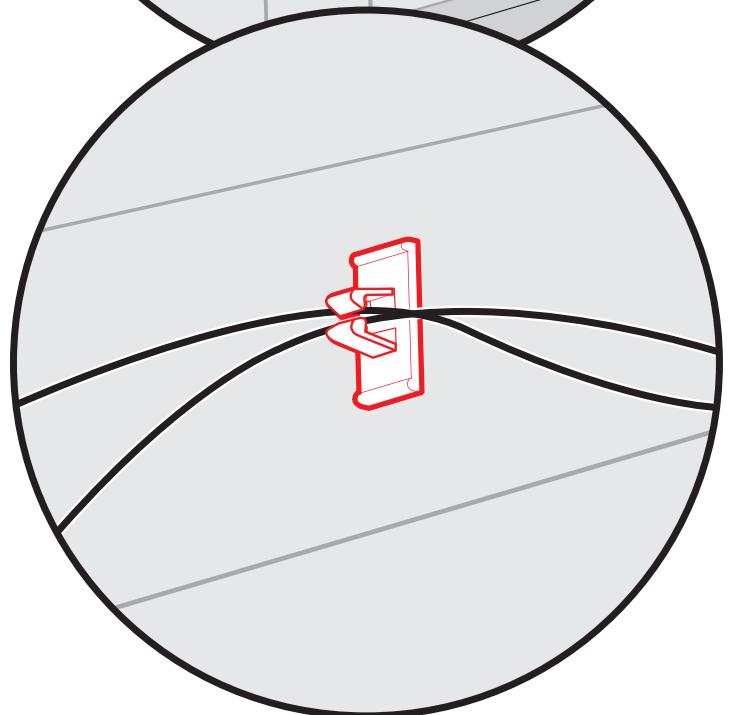
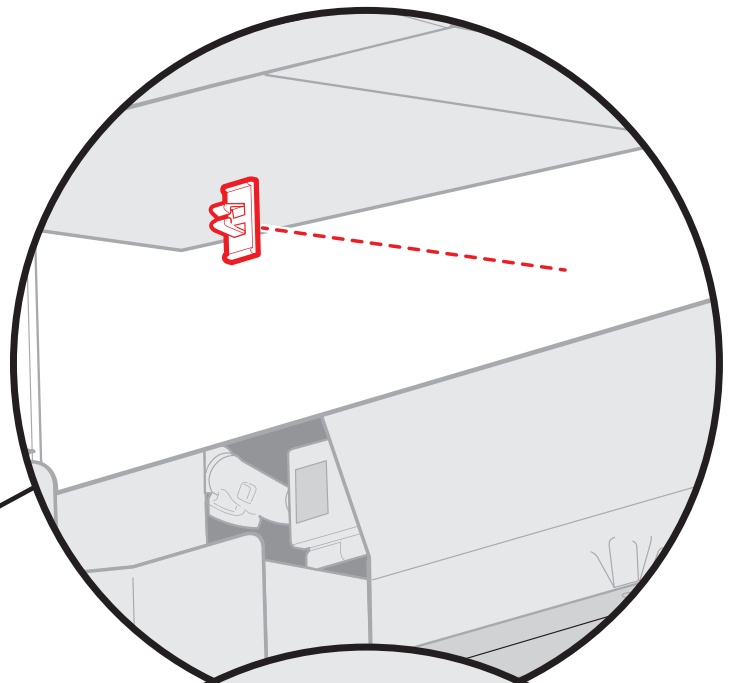
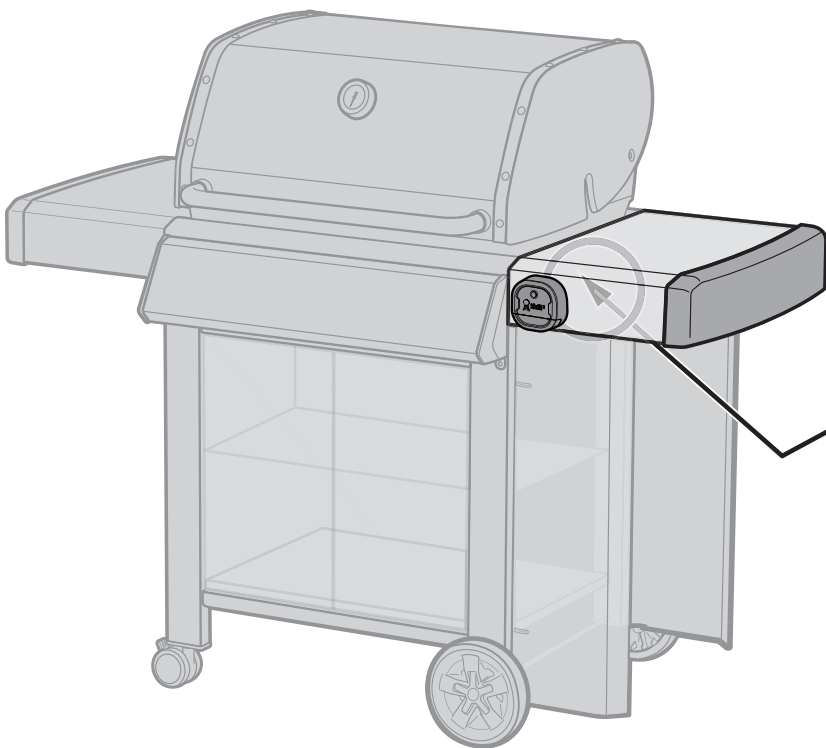


Clean surface before applying wire clip.

Peel and stick.



⚠ Must secure all wires using the wire retention clip.

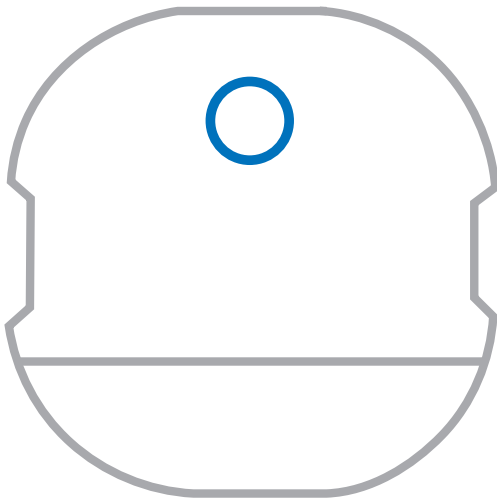


a



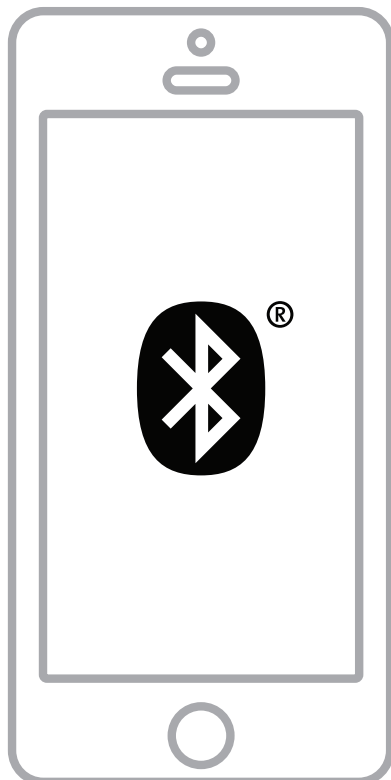
Download the
Weber iGrill App

b



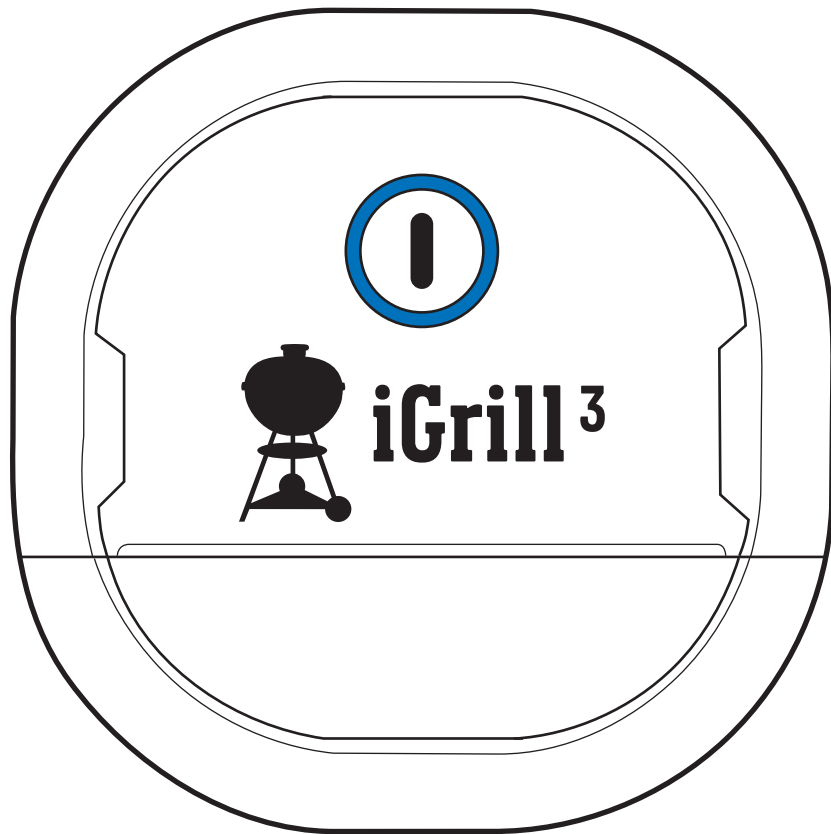
Press and release
the power button

c



Launch app and connect
through Bluetooth®

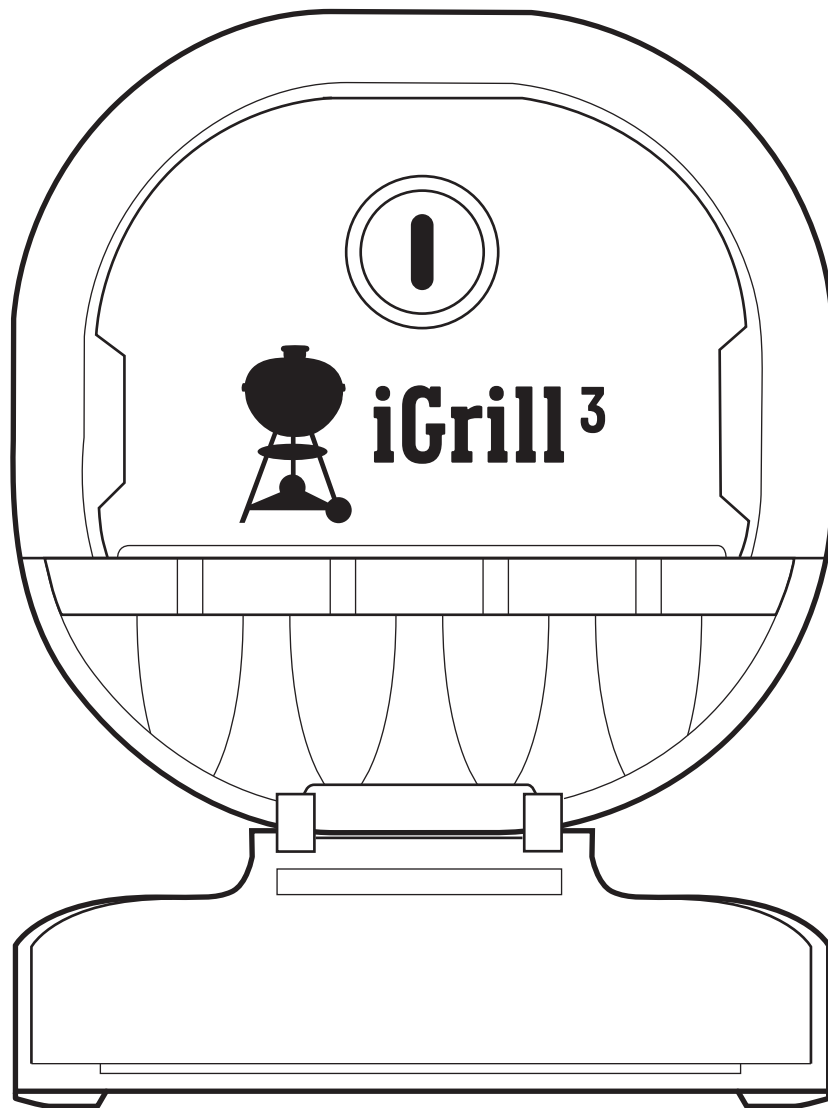
A full user guide is available inside the
Weber iGrill App and online at
support.weber.com/igrill-support



Display

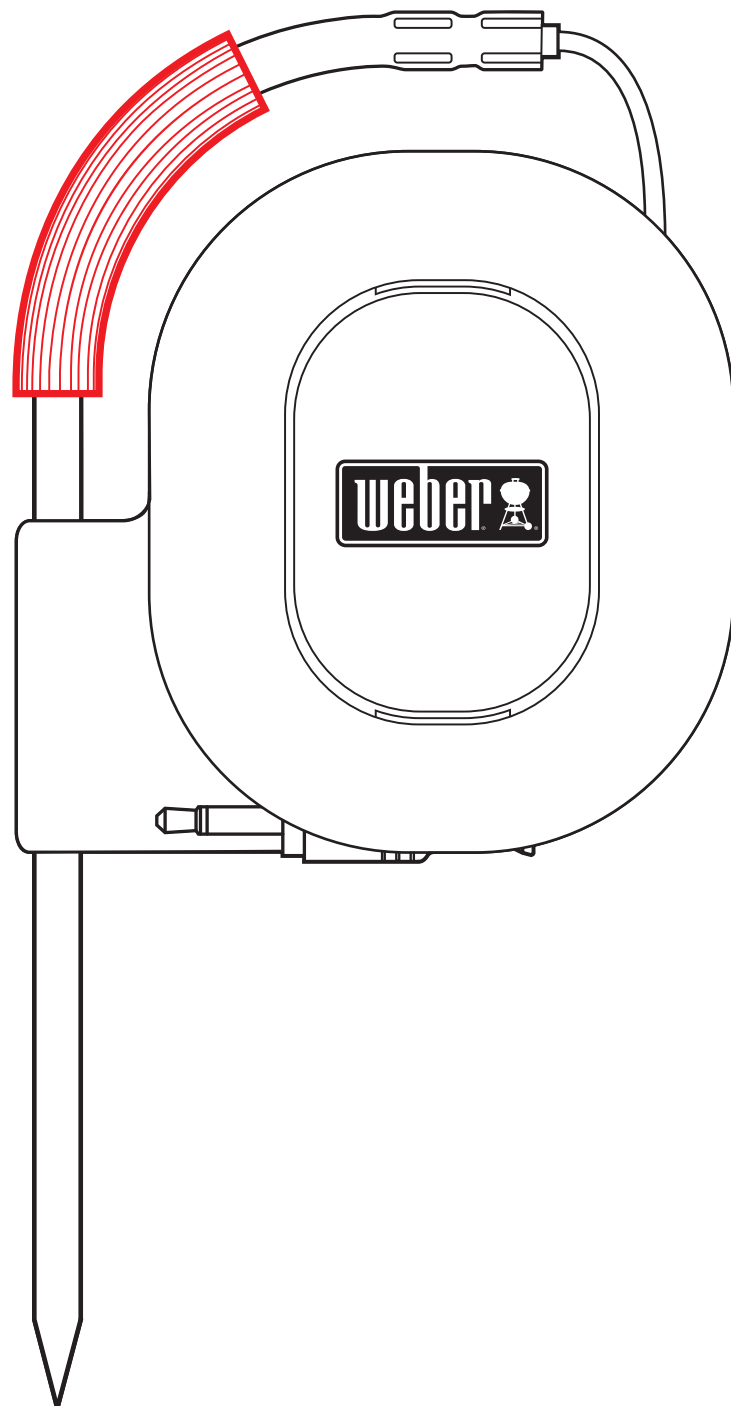
Bluetooth® LED

Blinks blue when discoverable and awaiting pairing



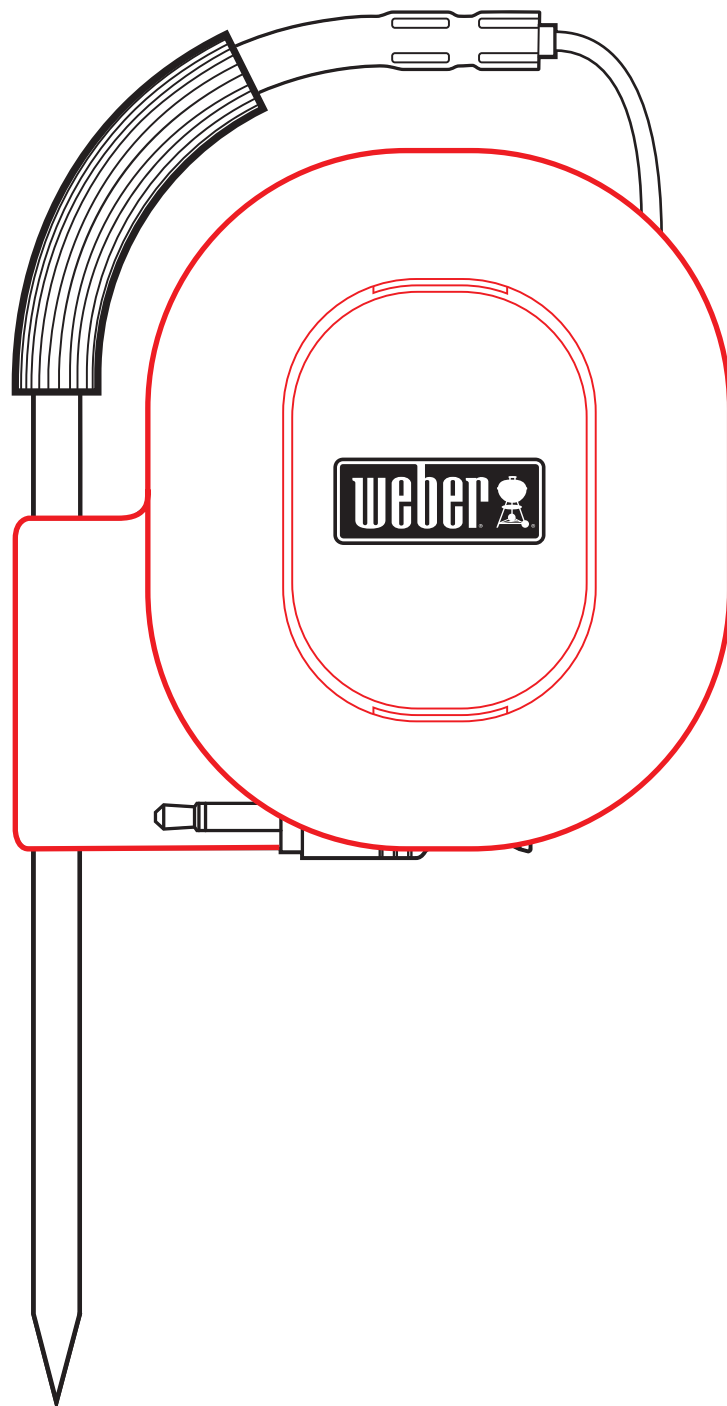
Probe Insert

Four probe inserts to monitor four temperatures at once



Coloured Probe Indicator

Easily identify each probe reading within the app



Probe Wrap

Neatly wrap and store your probes on the back of your unit when it's not in use

WARNING

Coloured probe indicators not intended to be used as heat safety grips. Probes are NOT dishwasher safe.

Supported Devices: App requires a Bluetooth® Smart Ready device. Check support.weber.com/igrill-support for a list of compatible devices.

Operation Is Subject To The Following Two Conditions: (1) This device may not cause interference, and (2) This device must accept any interference, including interference that may cause undesired operation of this device.

App Store is a service mark of Apple Inc. The Bluetooth word mark and logos are registered trademarks owned by Bluetooth SIG Inc.

Join The Community:

Register your Weber iGrill 3 inside the Weber iGrill App for exclusive news, special offers and community updates.

Need more help?

Email us at support@weberstephen.com

