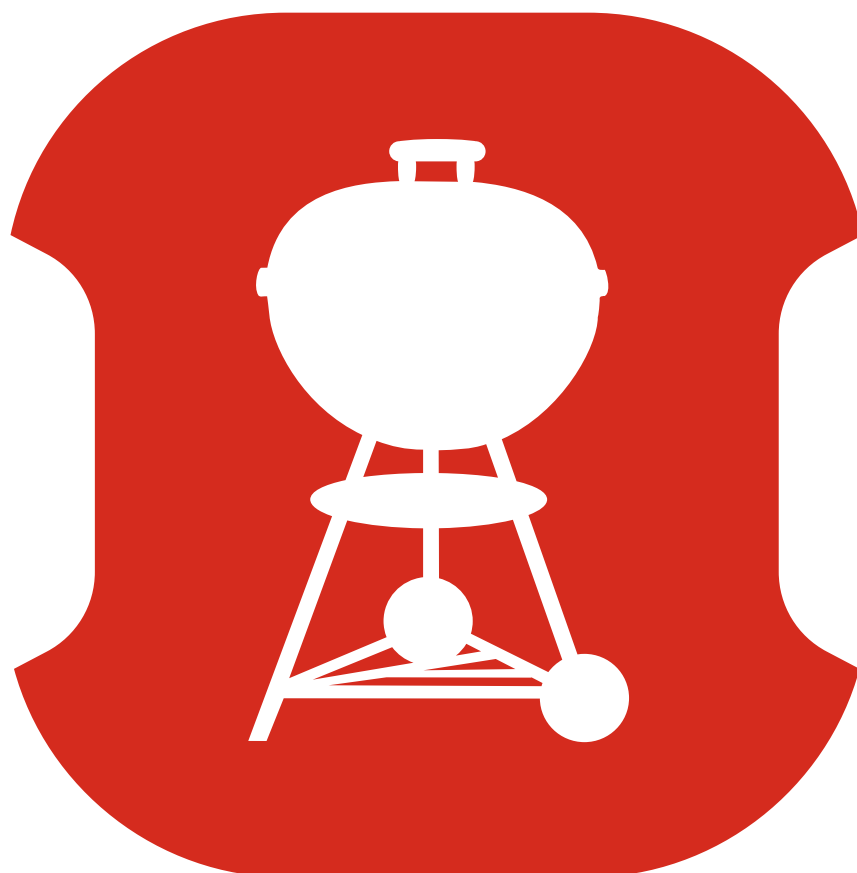




Welcome to

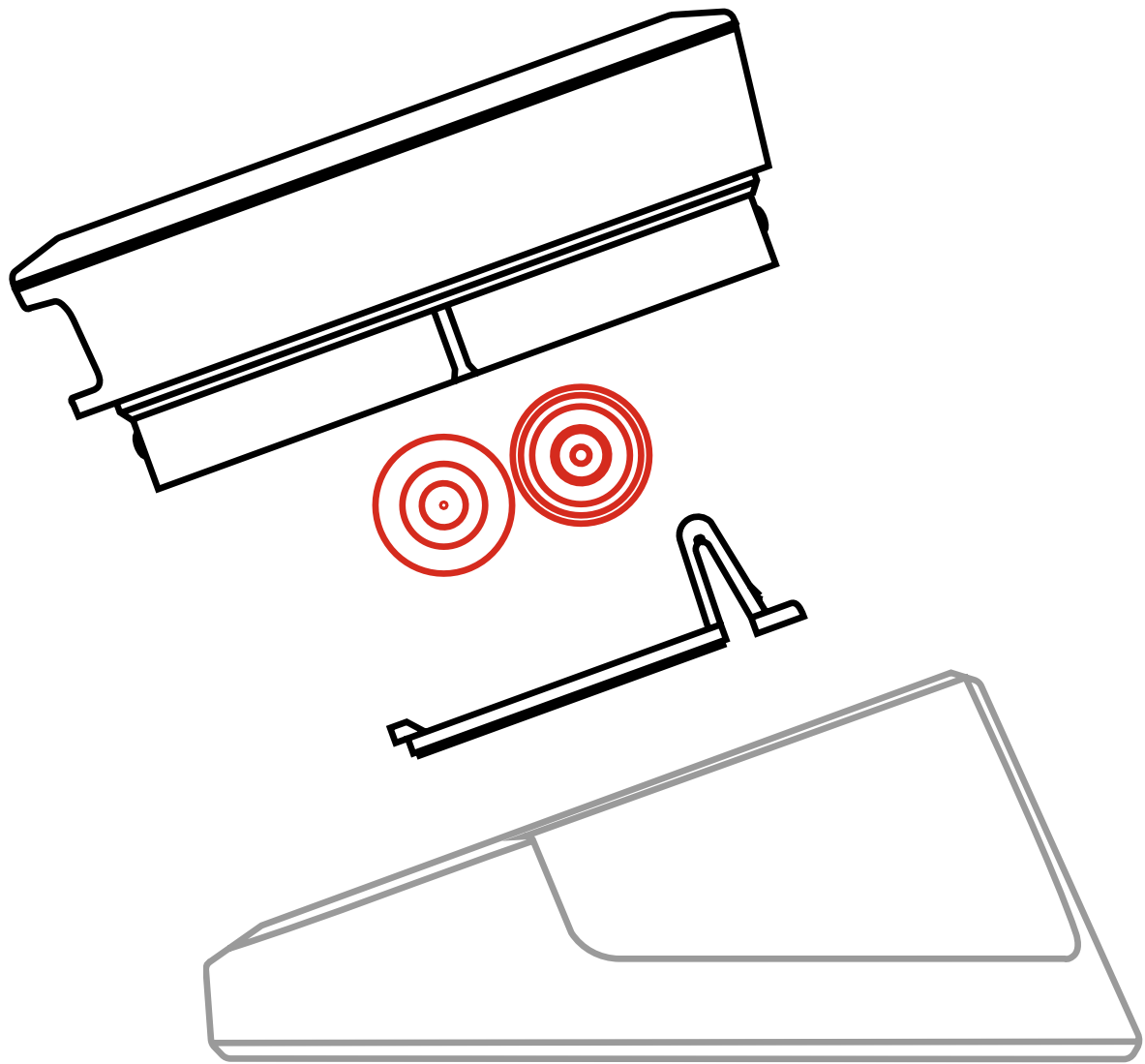


**QUICK START GUIDE**



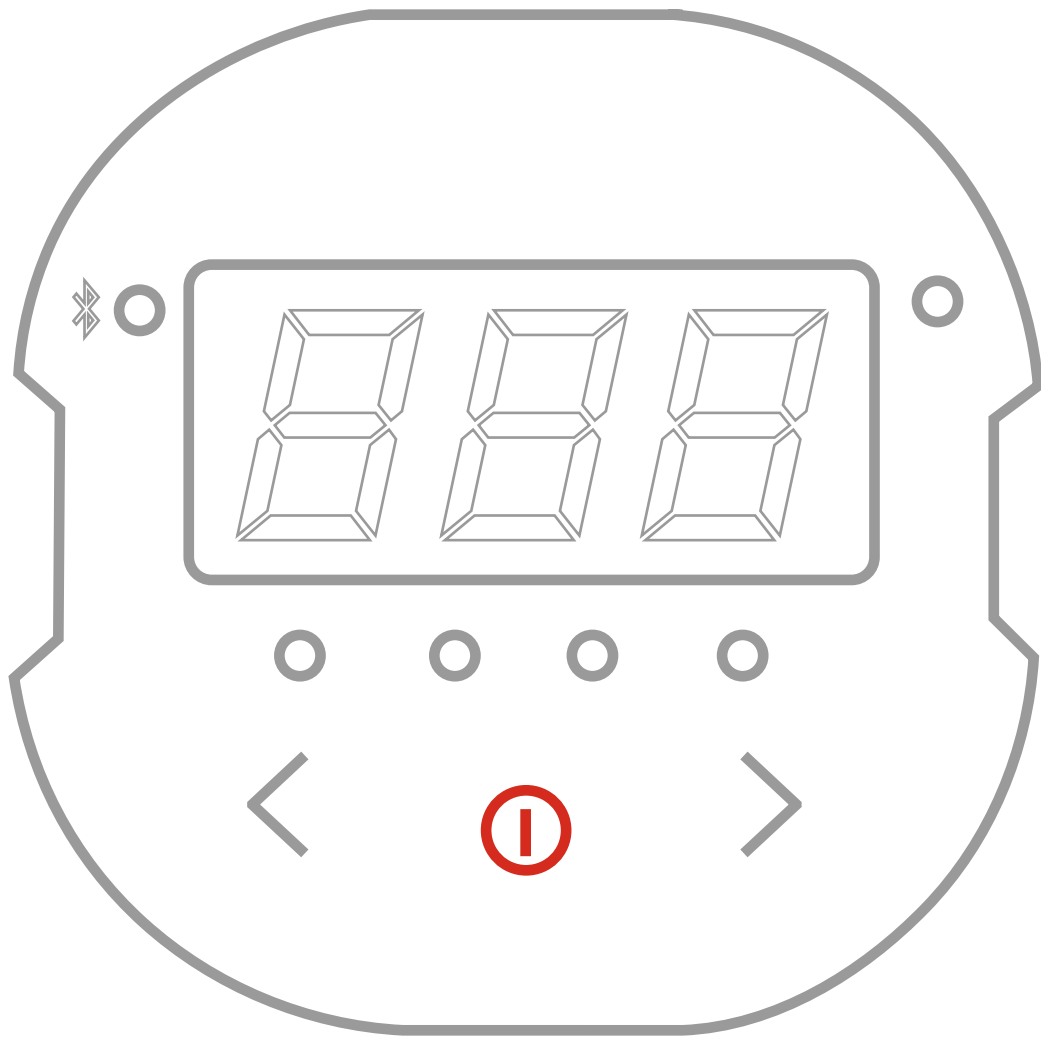
Download the Weber<sup>®</sup>  
iGrill<sup>®</sup> App





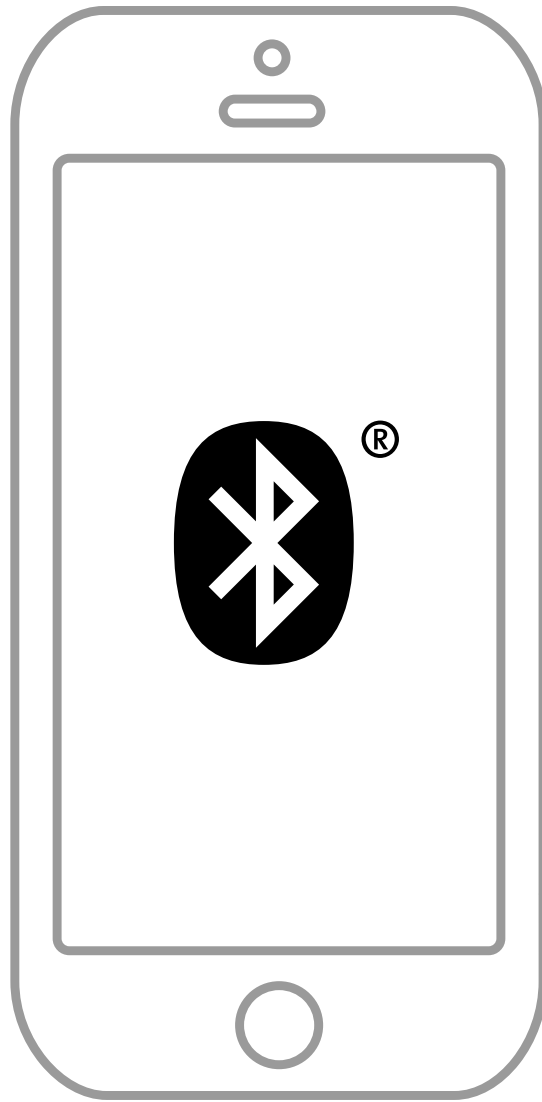
Remove top unit from  
base, insert batteries

2



Press and release the  
power button

3

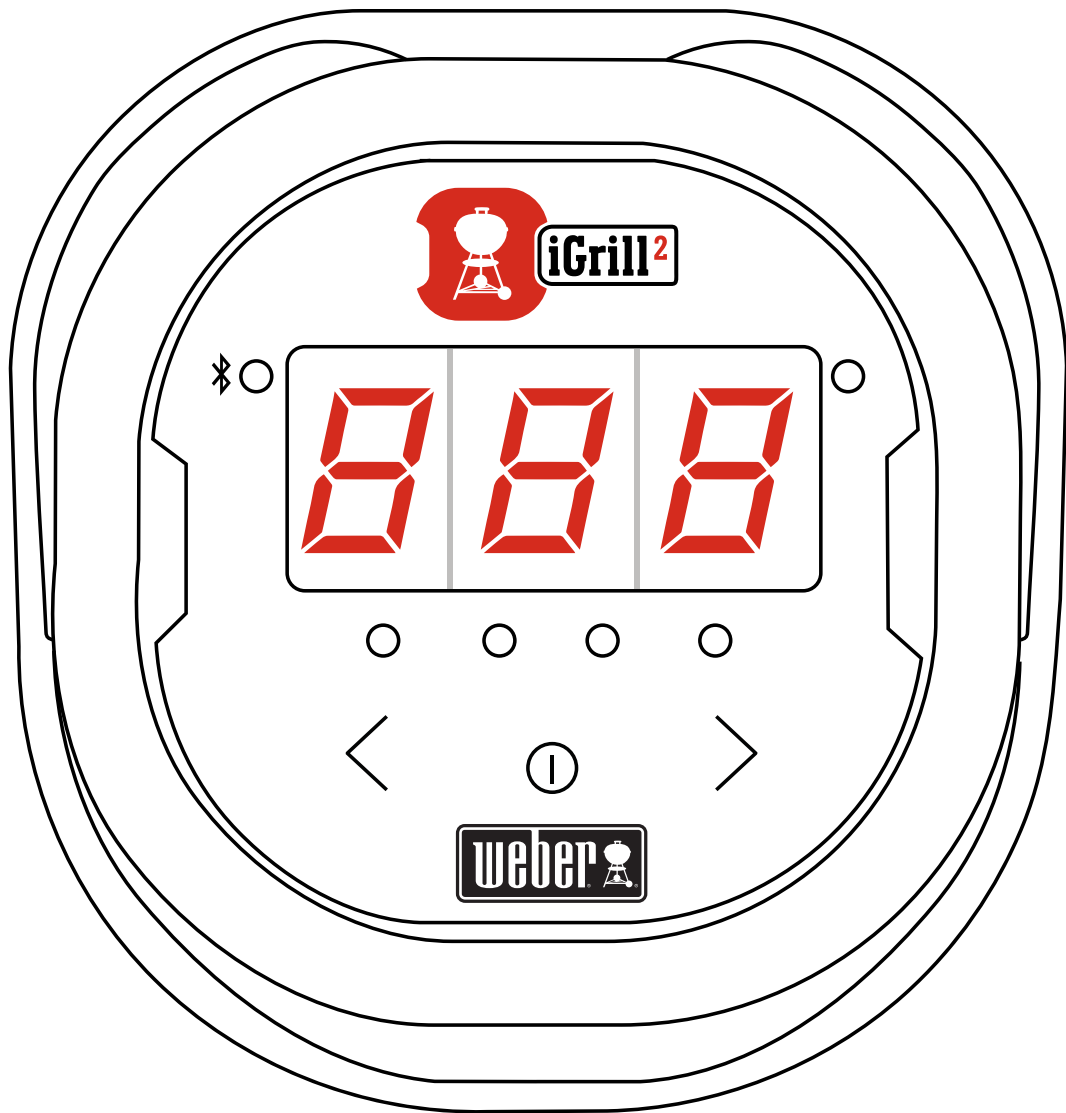


Launch app and connect  
through Bluetooth<sup>®</sup>

4

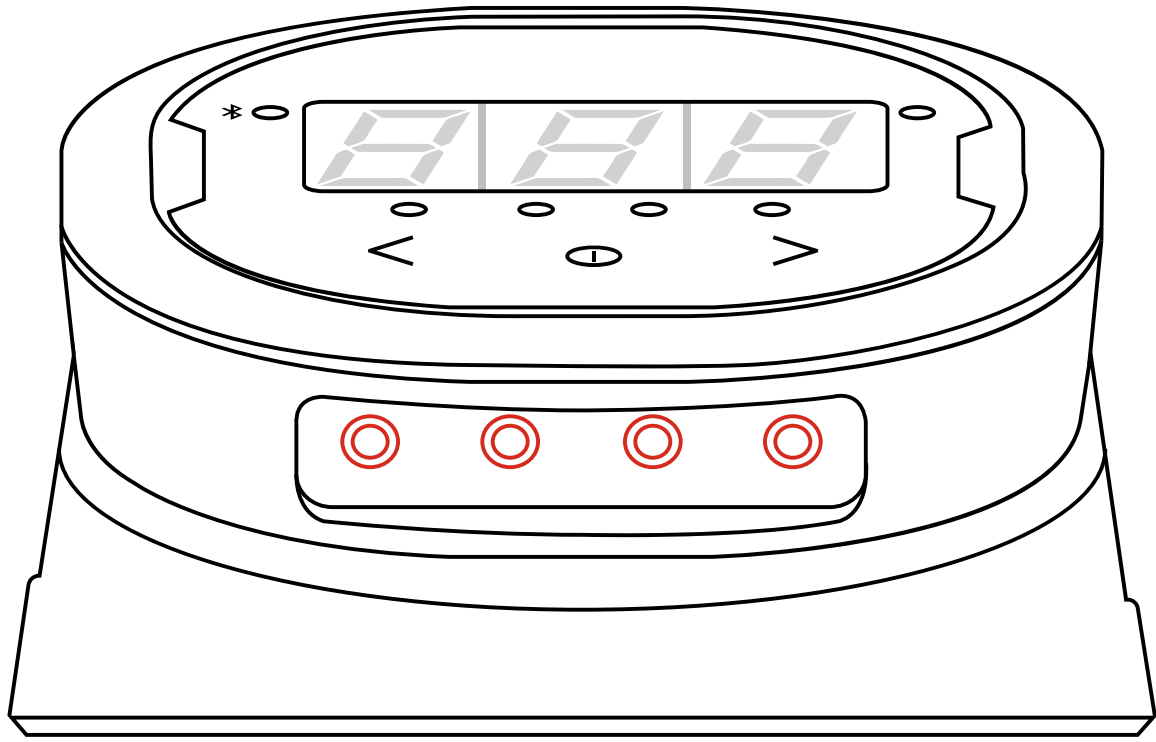
Getting To Know Your





## Smart Display

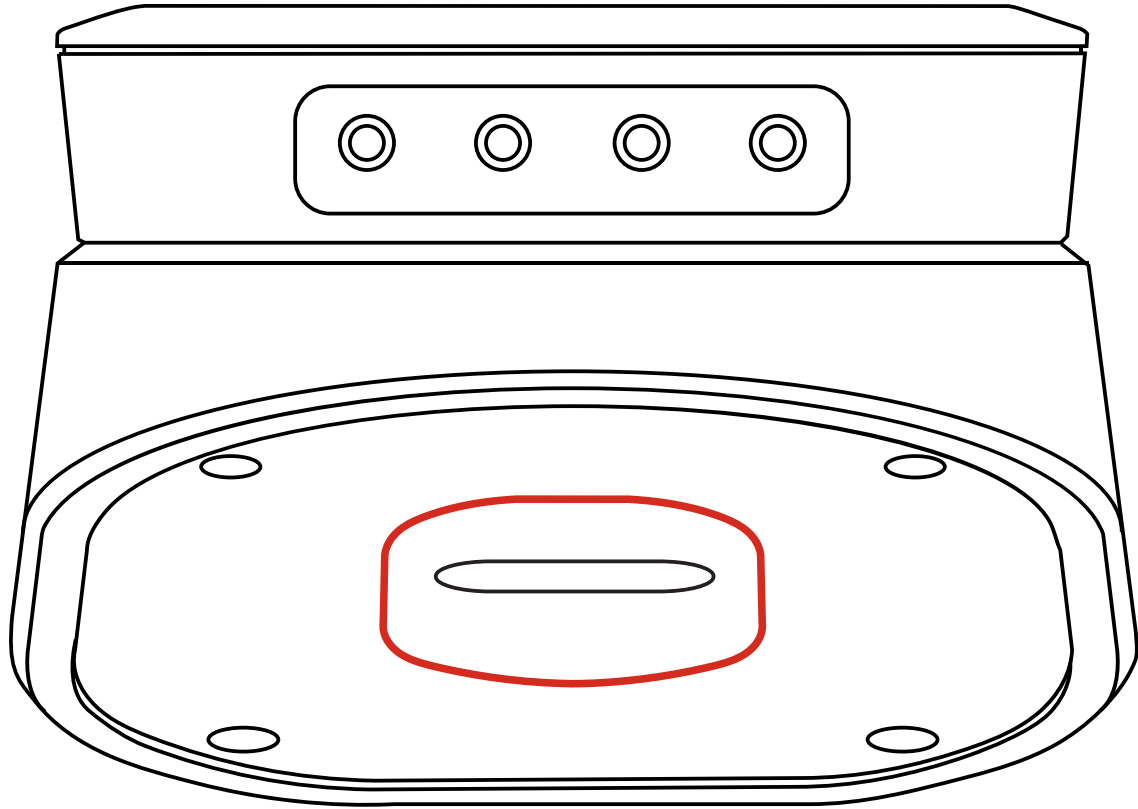
The display will illuminate once your smartphone/tablet is within range



## Probe Insert

Four probe inserts to monitor four temperatures at once

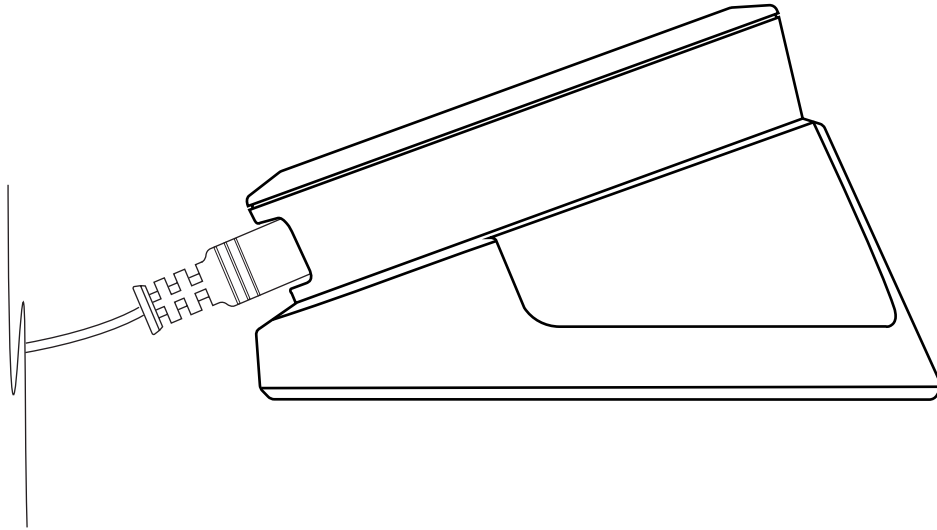




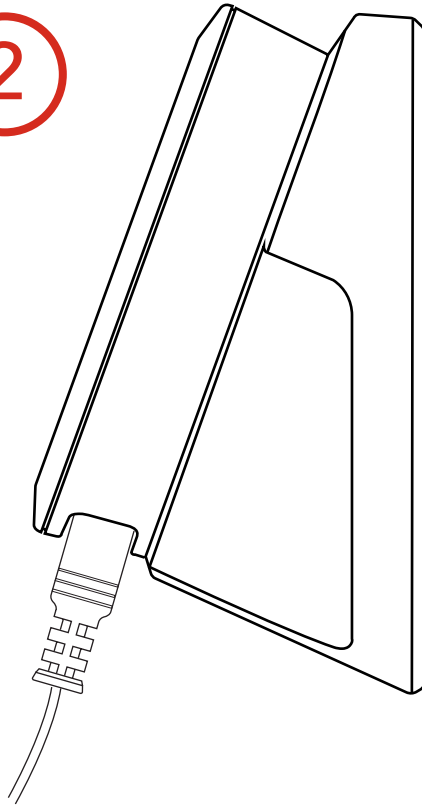
## Magnetized Mounting

Place almost anywhere with built-in magnet or optional magnetic disc

①

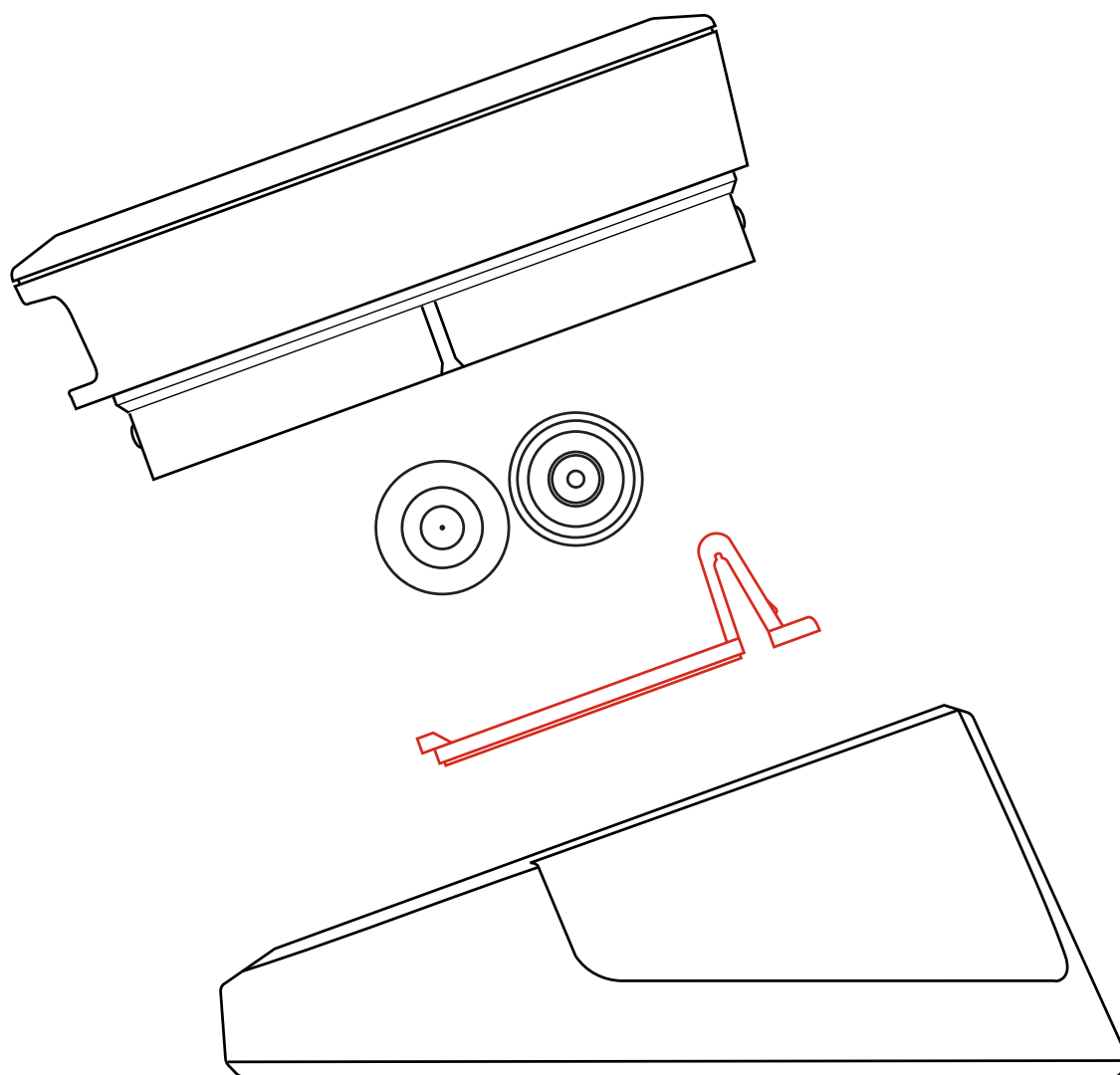


②



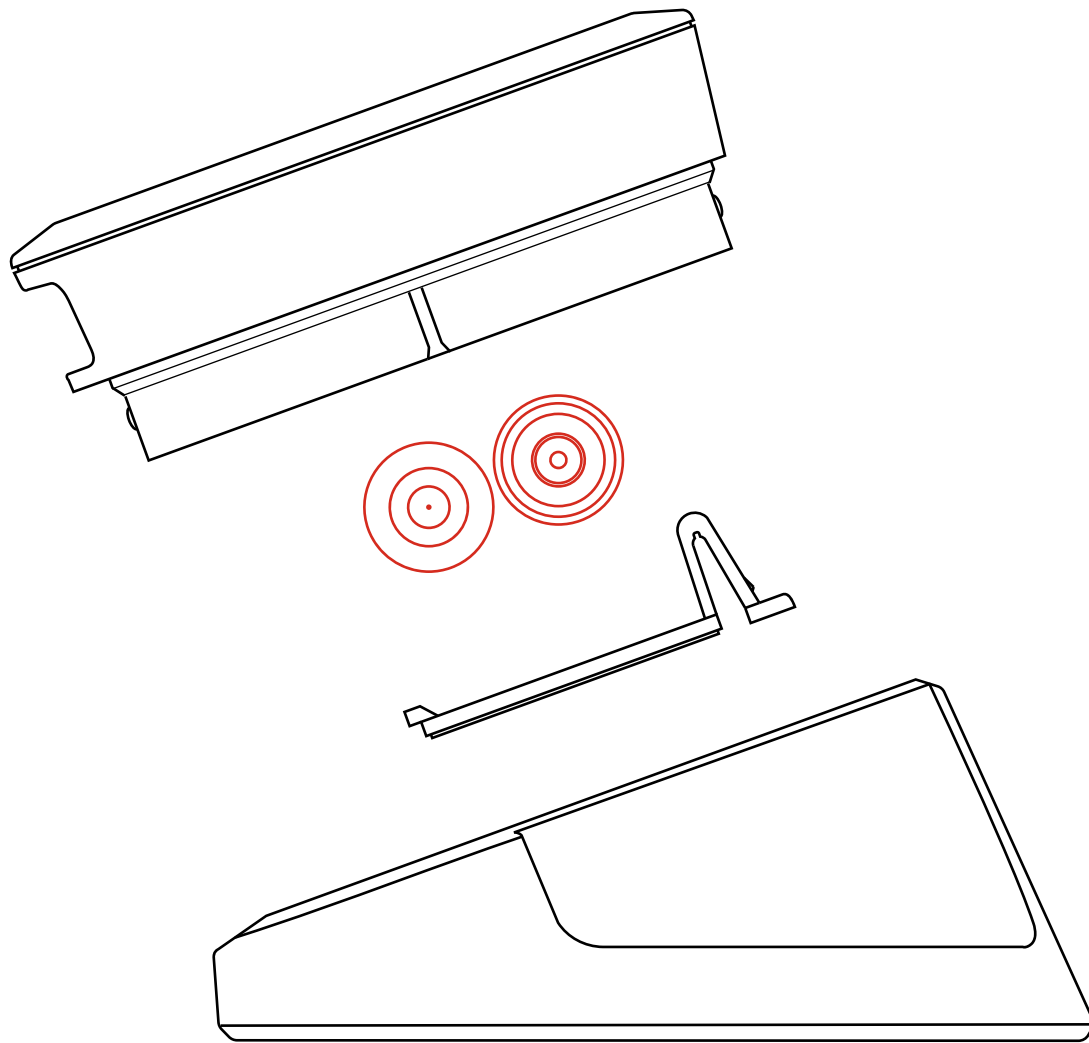
## 2 Viewing Angles

Choose from two viewing positions by rotating the main unit 180 degrees



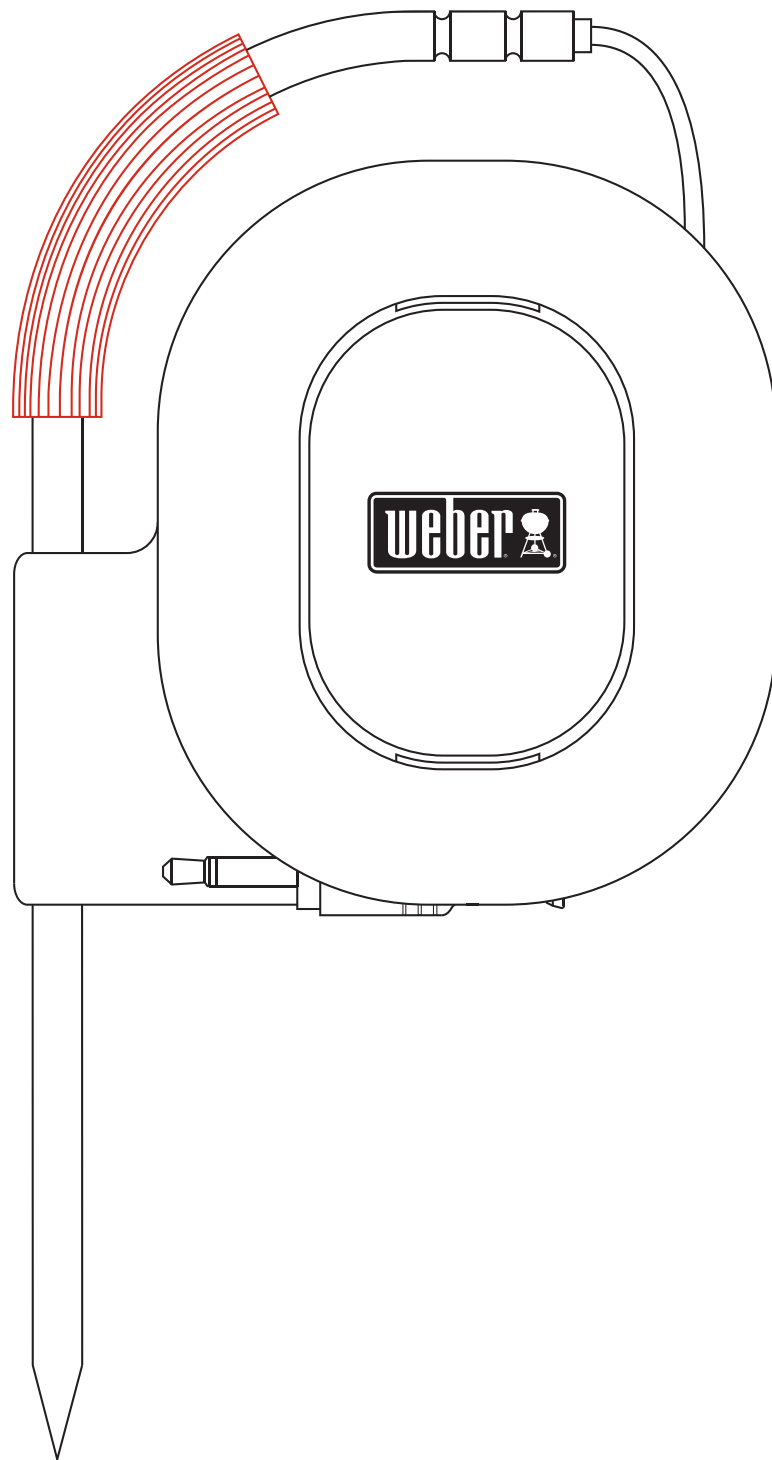
# Battery Cover

Remove to insert batteries



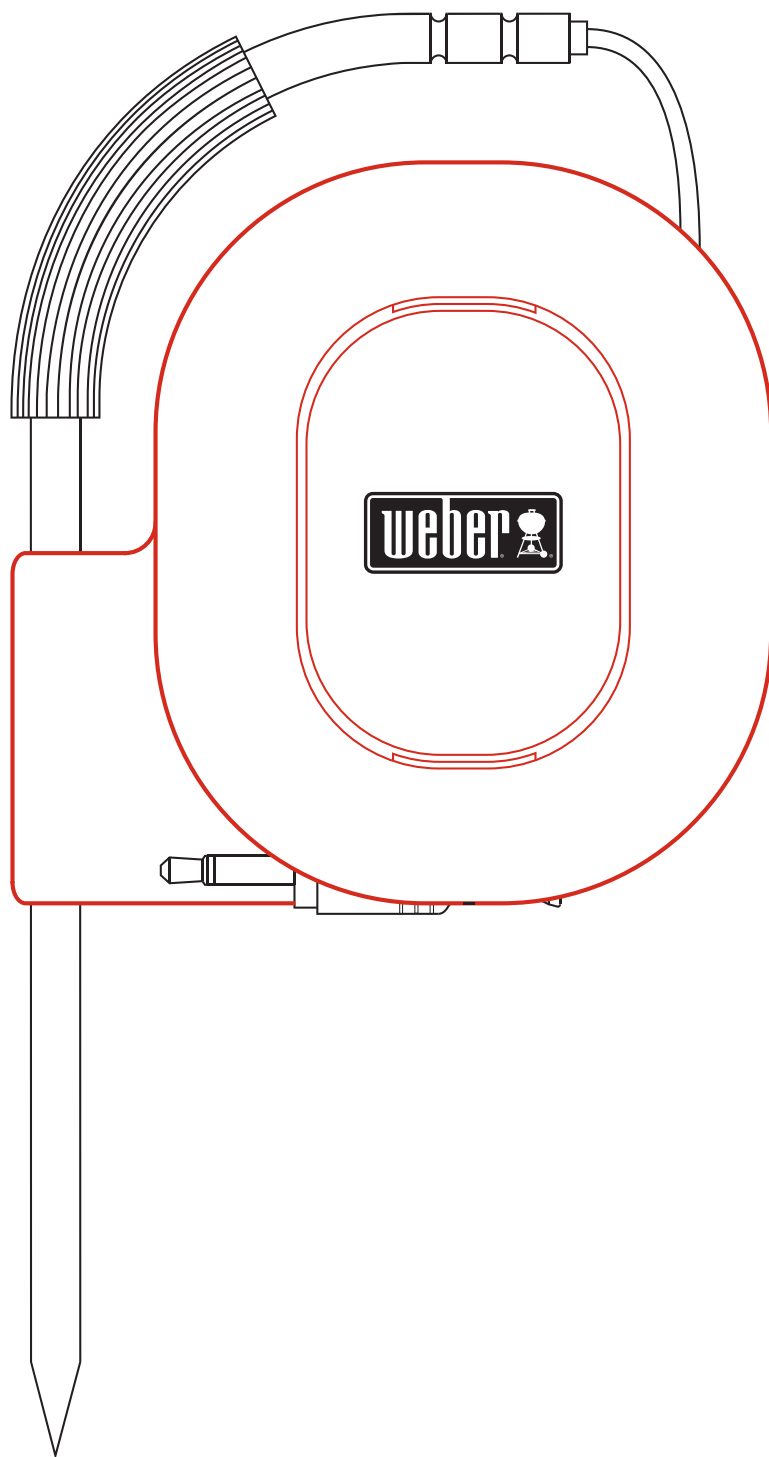
# Battery

Requires 2 AA batteries (included)



## Coloured Probe Indicator

Easily identify each probe reading within the app



## Probe Wrap

Neatly wrap and store your probes on the back of your unit when it's not in use

## WARNING

Coloured probe indicators not intended to be used as heat safety grips. Probes are NOT dishwasher safe.



NOTE: The magnetic base is not designed to withstand high heat and it must be placed on a cool surface. If the surface is too hot to touch, it's too hot for the Weber® iGrill® base!

**Supported Devices:** App requires a Bluetooth® Smart Ready device. Check [support.weber.com/igrill-support](http://support.weber.com/igrill-support) for a list of compatible devices.

### Operation Is Subject To The Following Two Conditions:

(1) This device may not cause interference, and (2) This device must accept any interference, including interference that may cause undesired operation of this device.

App Store is a service mark of Apple Inc. The Bluetooth word mark and logos are registered trademarks owned by Bluetooth SIG Inc.



59343\_092816