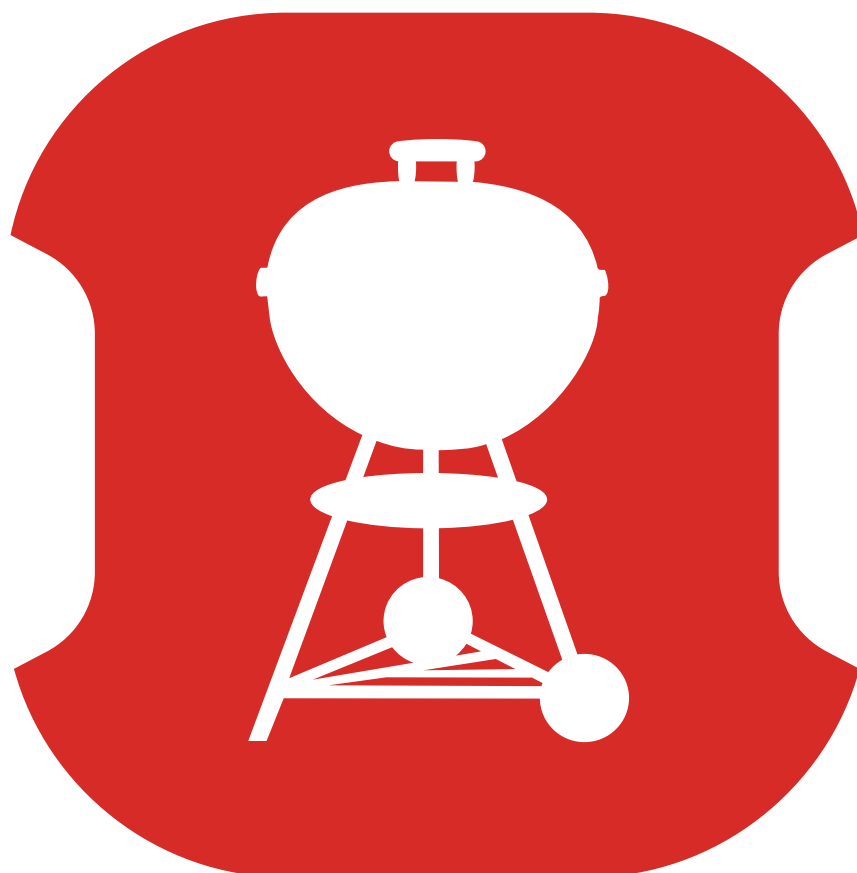




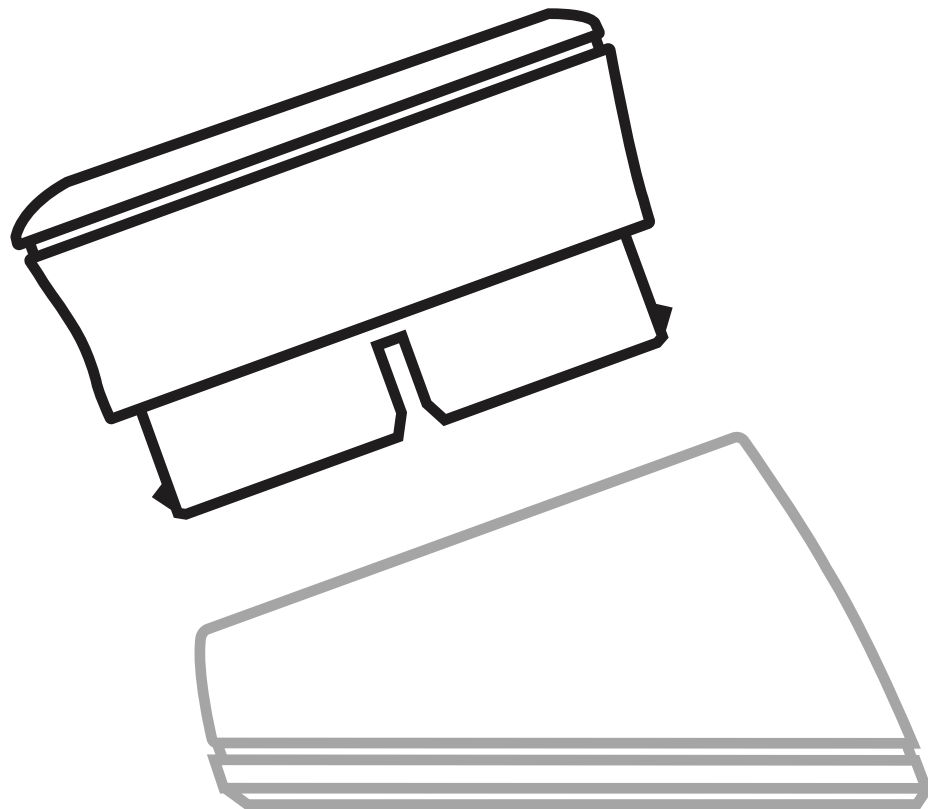
Welcome to  
Kitchen  
Thermometer  
*mini*

**QUICK START GUIDE**



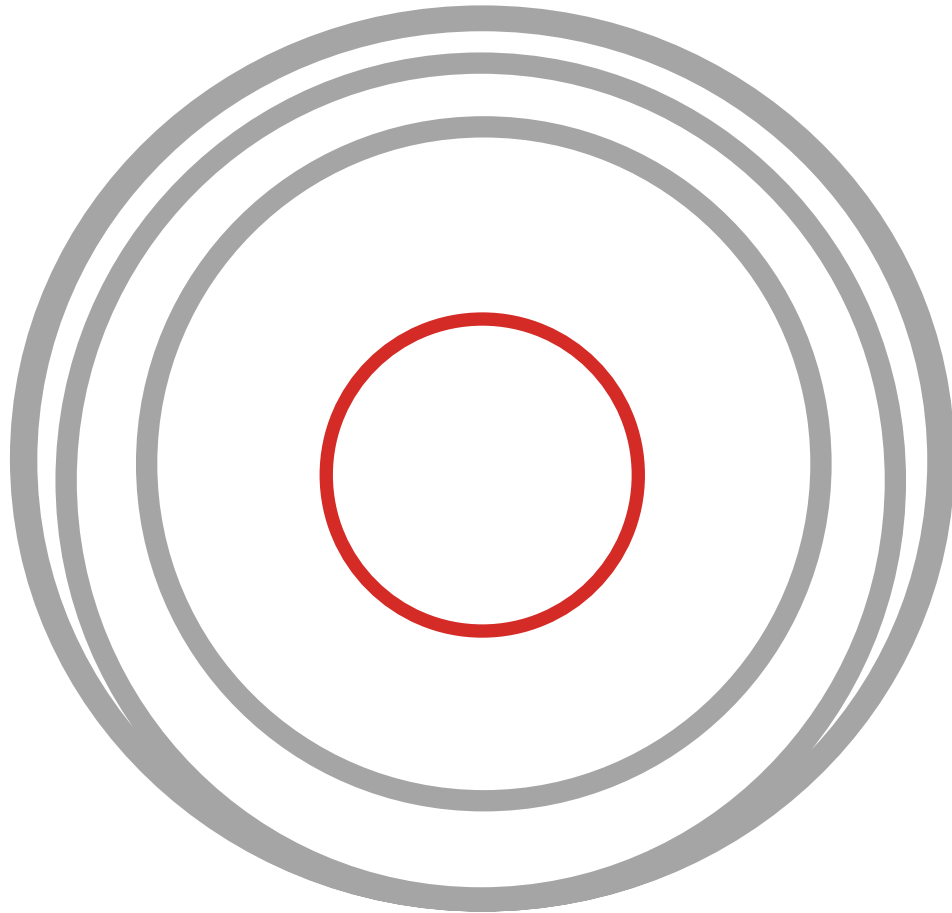
Download the  
Weber<sup>®</sup> iGrill<sup>®</sup> app





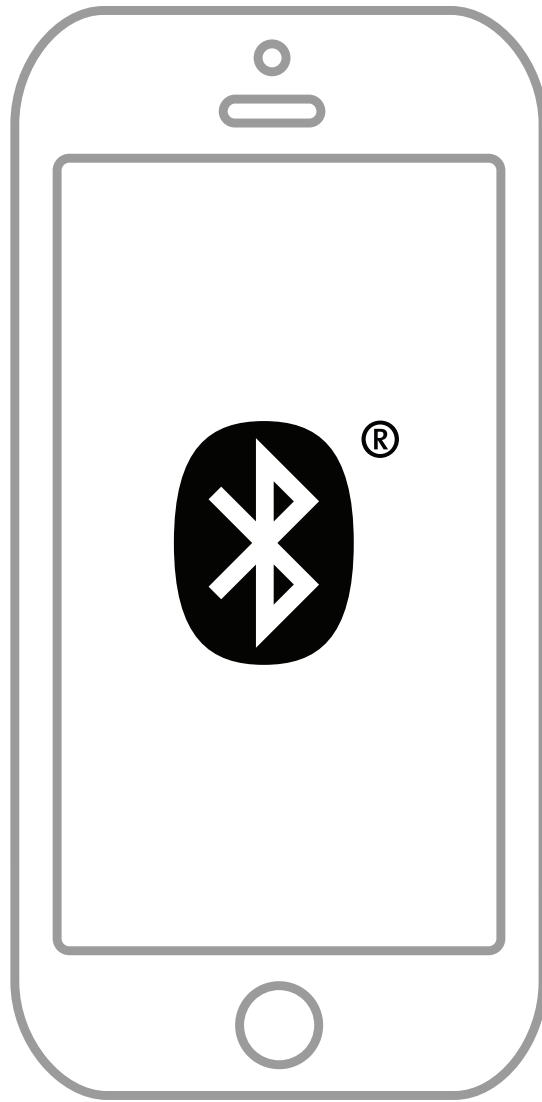
Remove top unit from  
base, pull tab

2



Press and release  
the power button

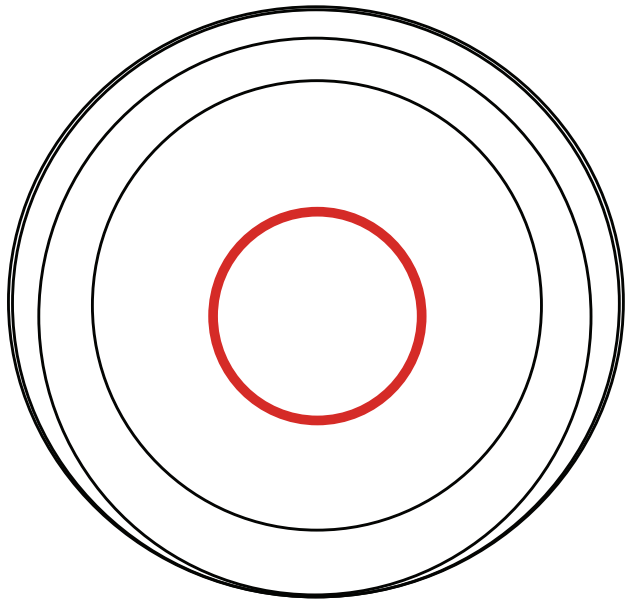
3



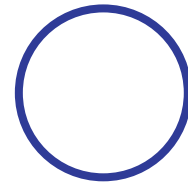
Launch app and connect  
through Bluetooth<sup>®</sup>

4

Getting To Know Your  
Kitchen  
Thermometer  
*mini*

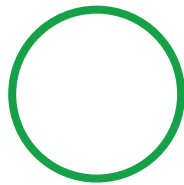


### Connection

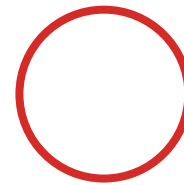
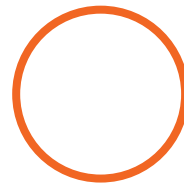
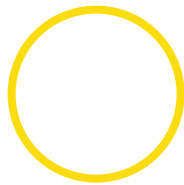


Flashing: Ready to pair  
Solid for 5 seconds: Paired

### Peak Preset

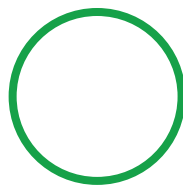


Initial

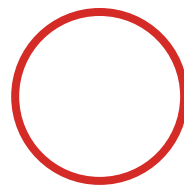


Target  
(Flashing)

### Range Preset



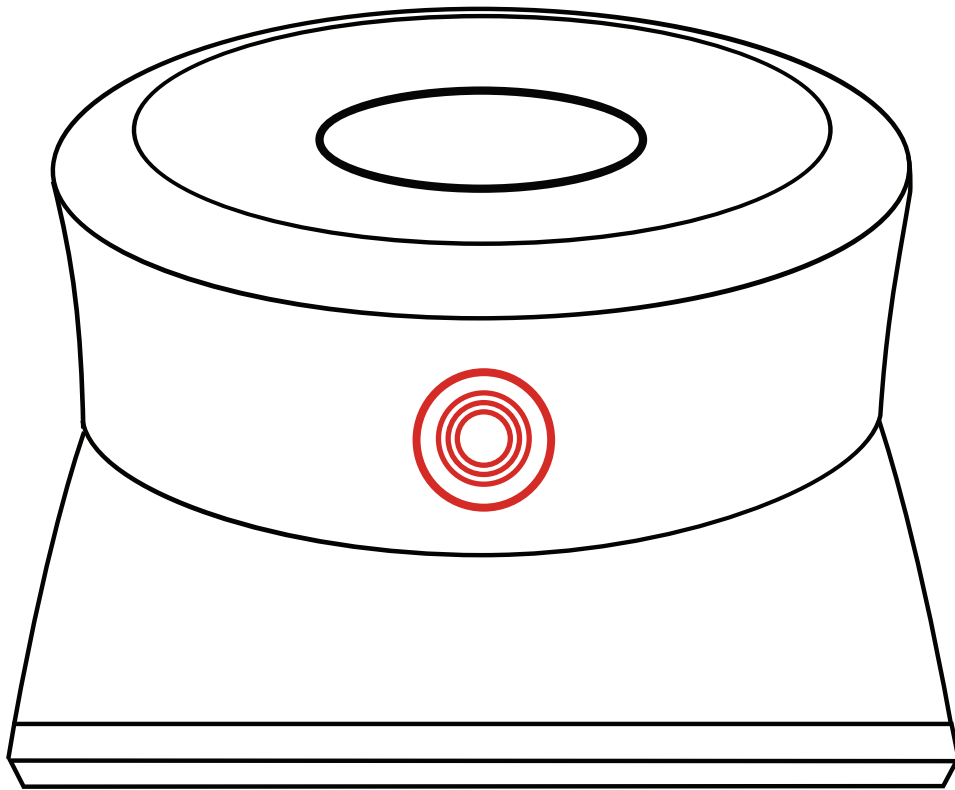
In



Out  
(Flashing)

## Smart LED

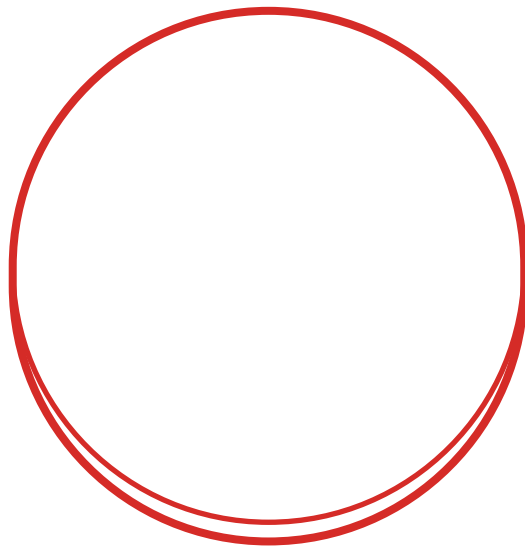
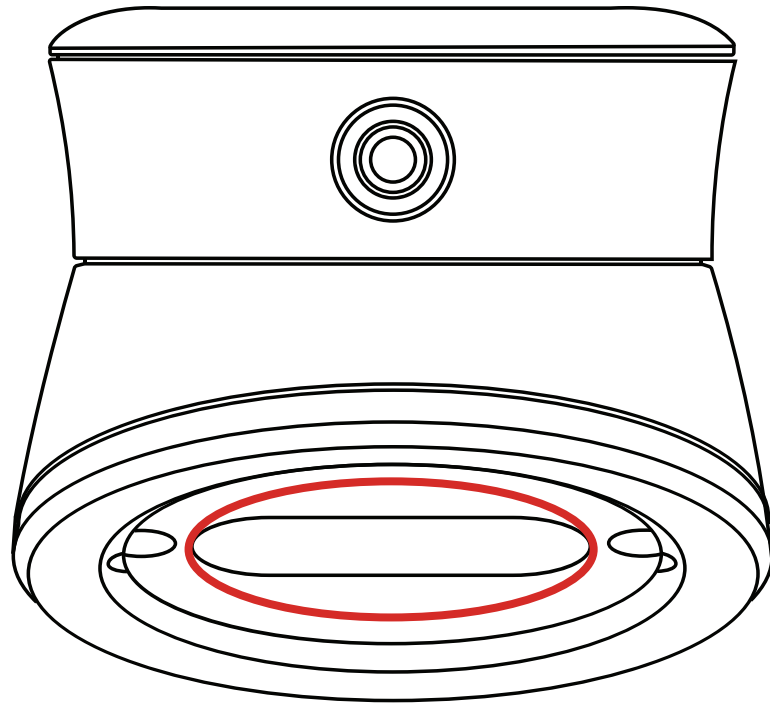
Indicates when paired, temperature progression and temperature out of range



## Probe Insert

Single probe insert for meat probe or ambient temperature probe

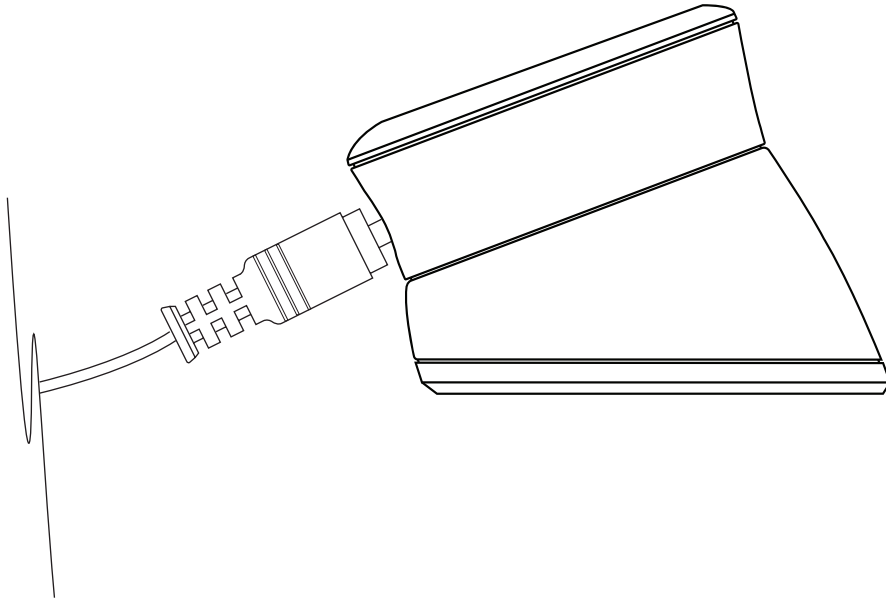




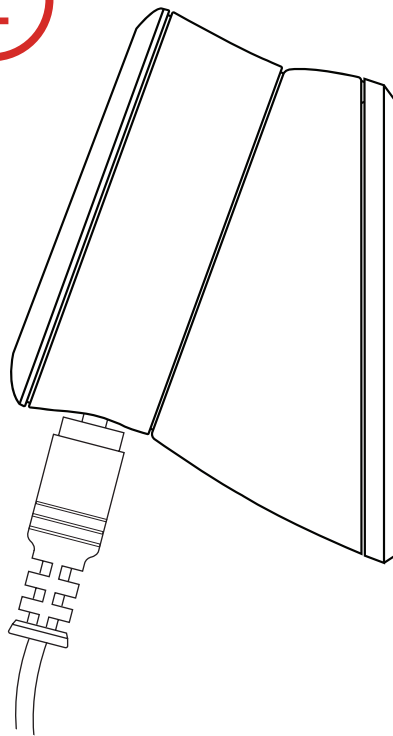
## Magnetized Mounting

Place almost anywhere with built-in magnet or optional magnetic disc

①

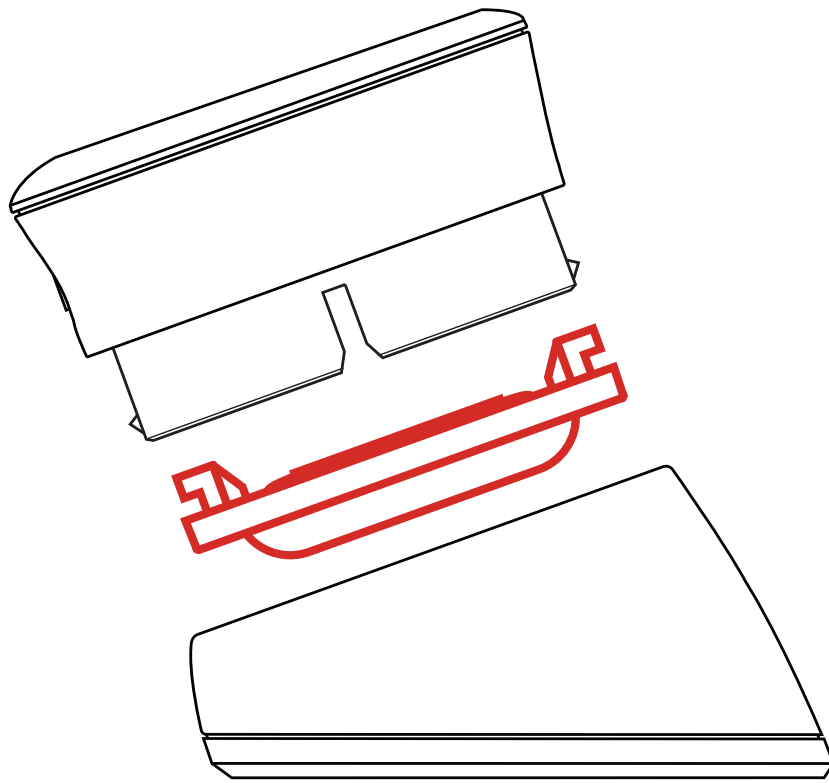


②



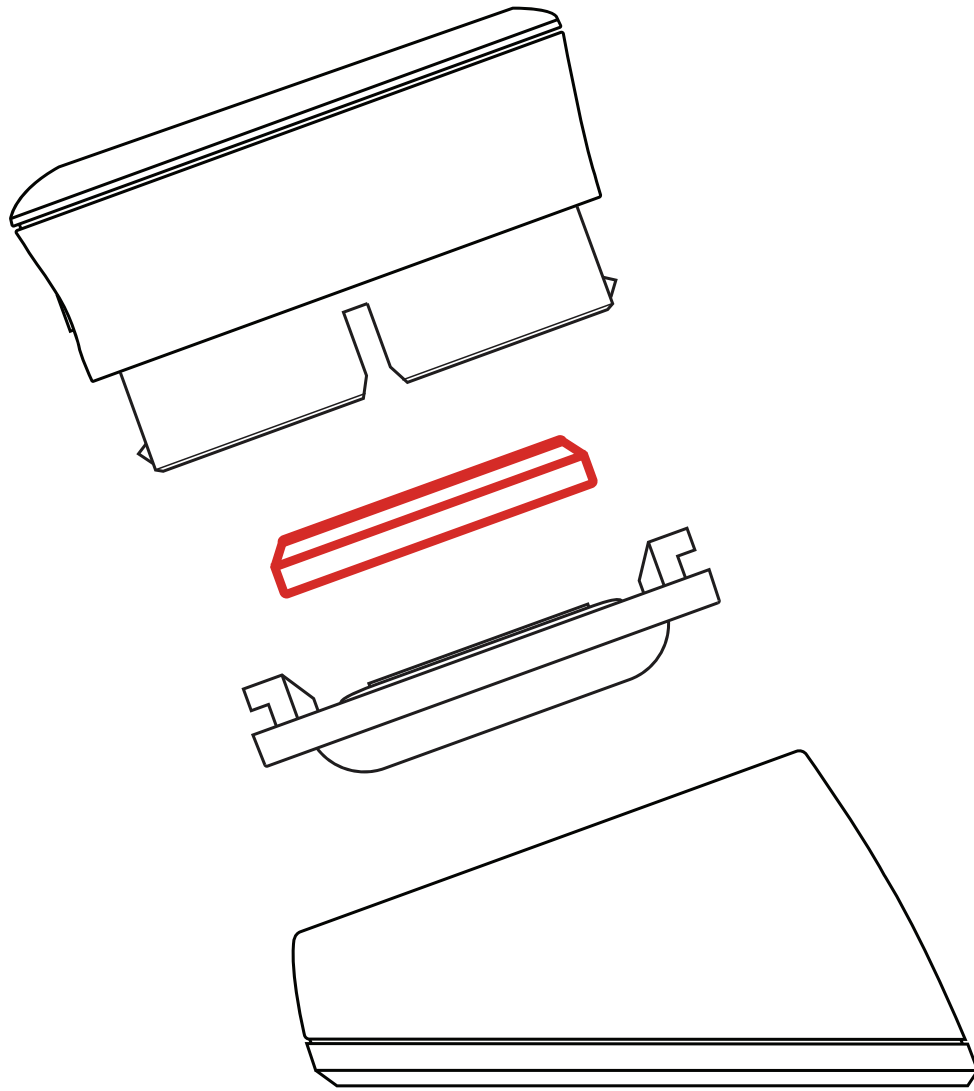
## 2 Viewing Angles

Choose from two viewing positions by rotating the main unit 180 degrees



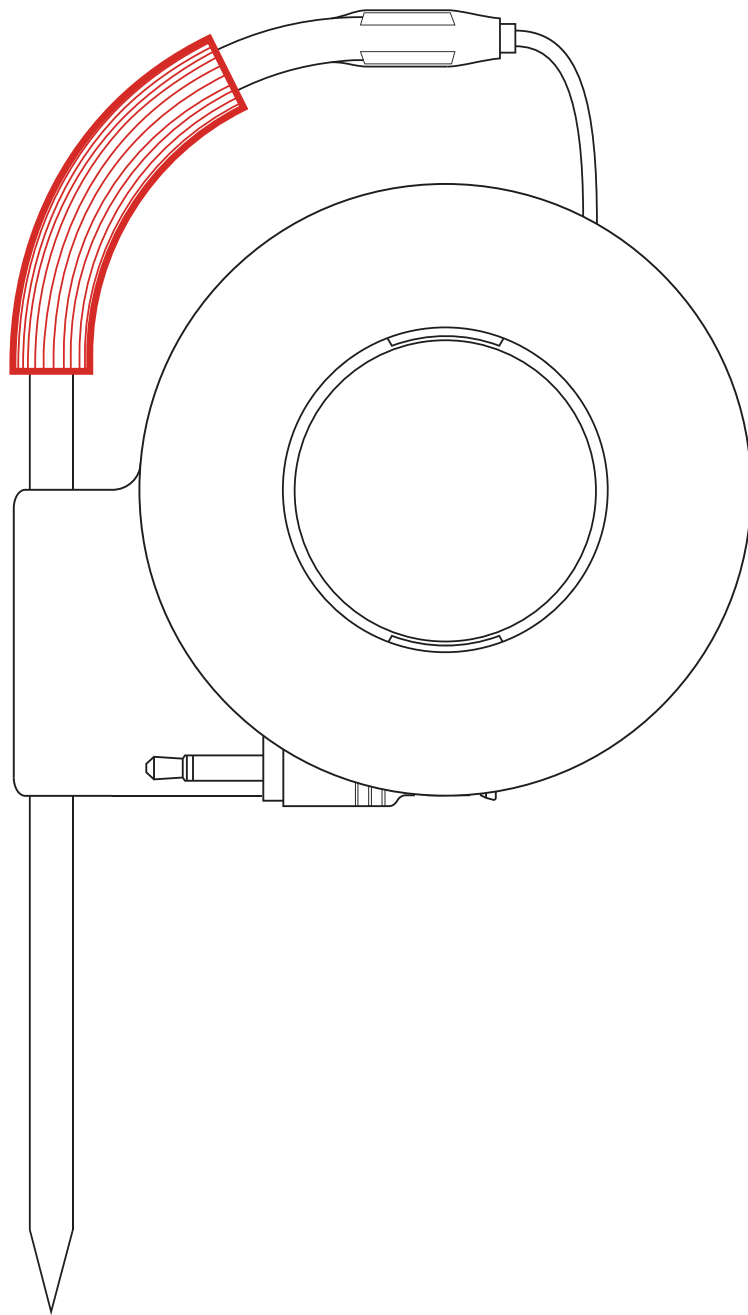
# Battery Cover

Twist to remove



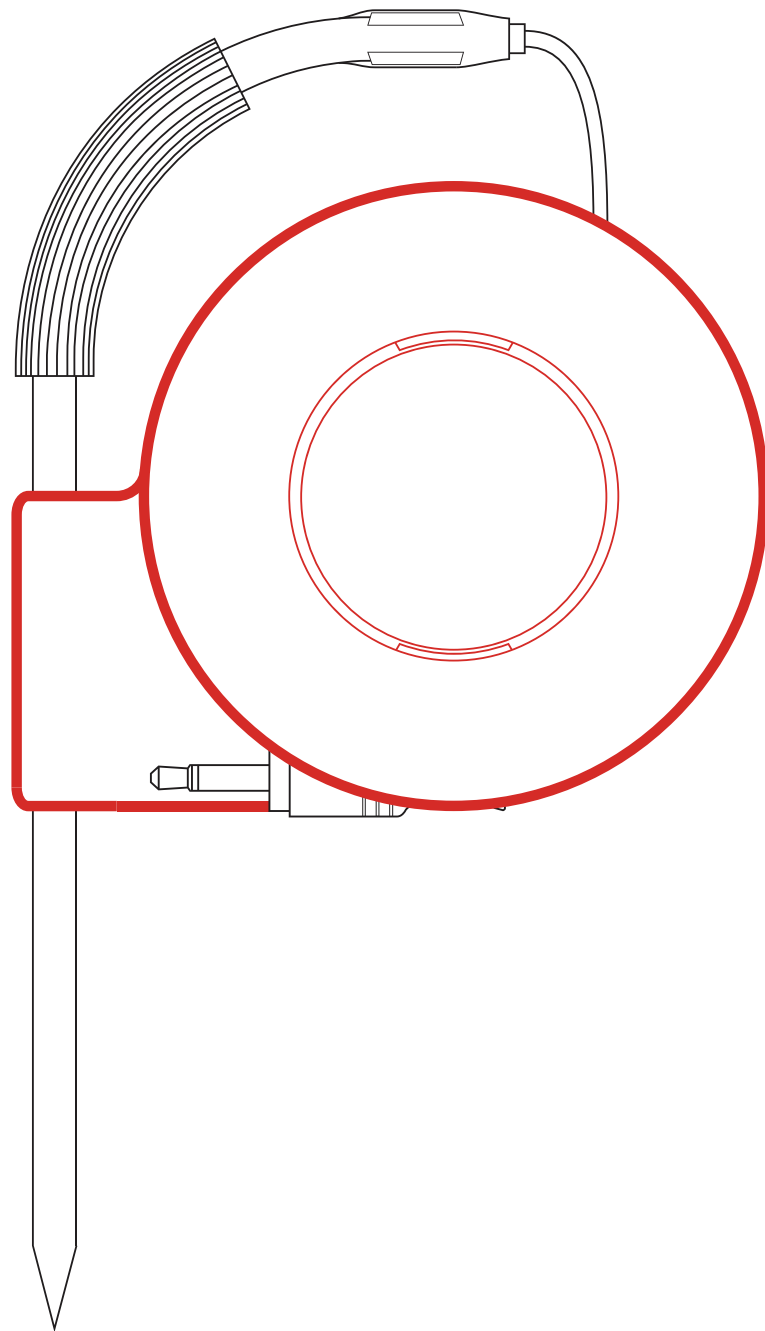
# Battery

Replaceable CR2032 coin cell  
battery (included)



## Colored Probe Indicator

Easily identify each probe reading within the app

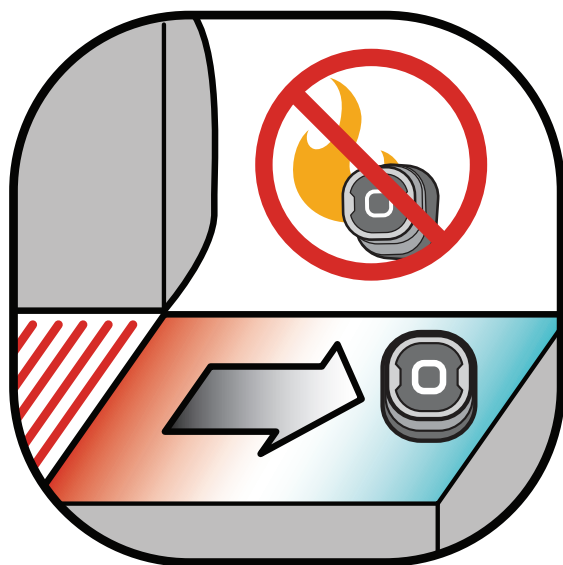


## Probe Wrap

Neatly wrap and store your probes on the back of your unit when it's not in use

## WARNING

Colored probe indicators not intended to be used as heat safety grips. Probes are NOT dishwasher safe.



NOTE: The magnetic base is not designed to withstand high heat and it must be placed on a cool surface. If the surface is too hot to touch, it's too hot for the Weber® iGrill® base!

**Supported Devices:** App requires a Bluetooth® Smart Ready device. Check [support.weber.com/igrill-support](http://support.weber.com/igrill-support) for a list of compatible devices.

### Operation Is Subject To The Following Two Conditions:

(1) This device may not cause interference, and (2) This device must accept any interference, including interference that may cause undesired operation of this device.

App Store is a service mark of Apple Inc. The Bluetooth word mark and logos are registered trademarks owned by Bluetooth SIG Inc.

