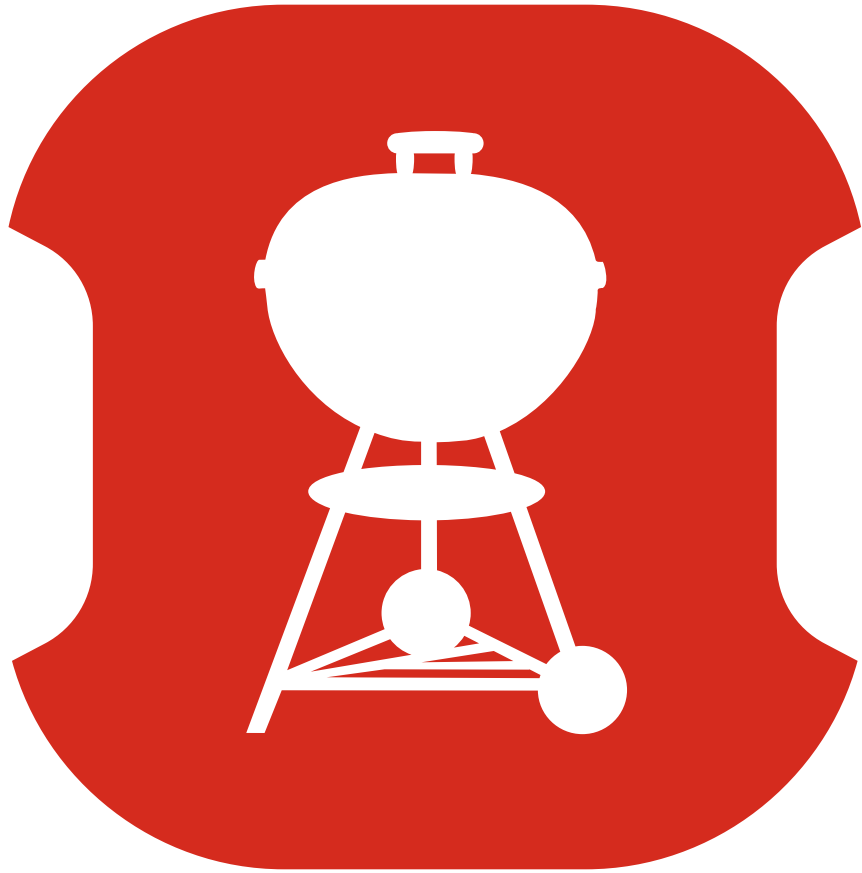




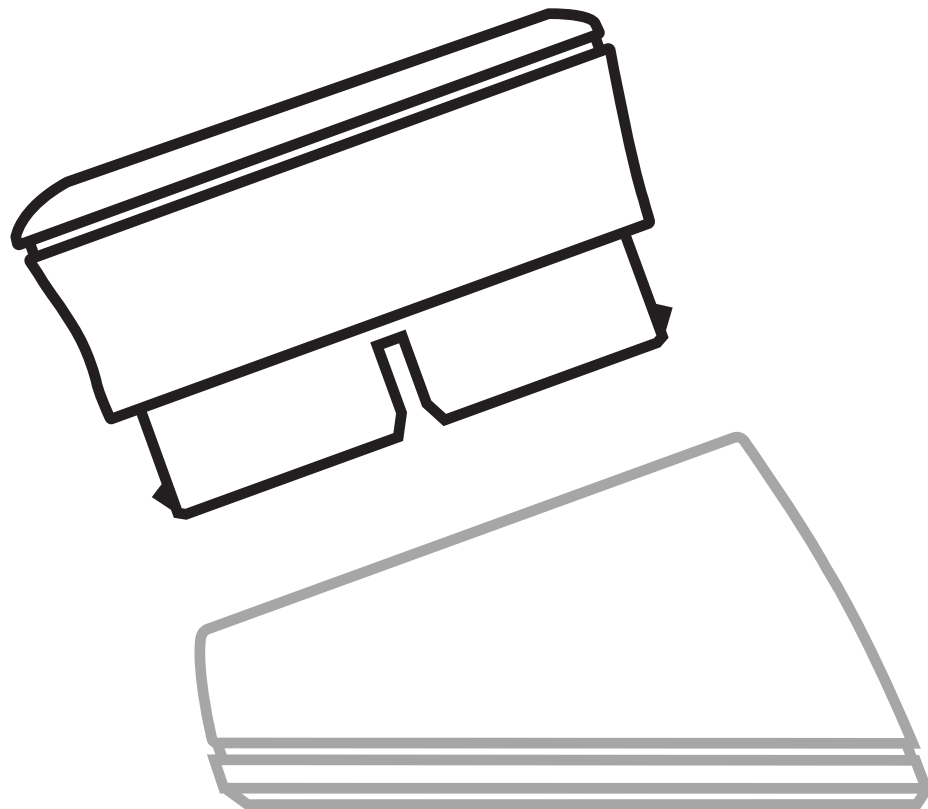
Welcome to
Kitchen
Thermometer
mini

QUICK START GUIDE



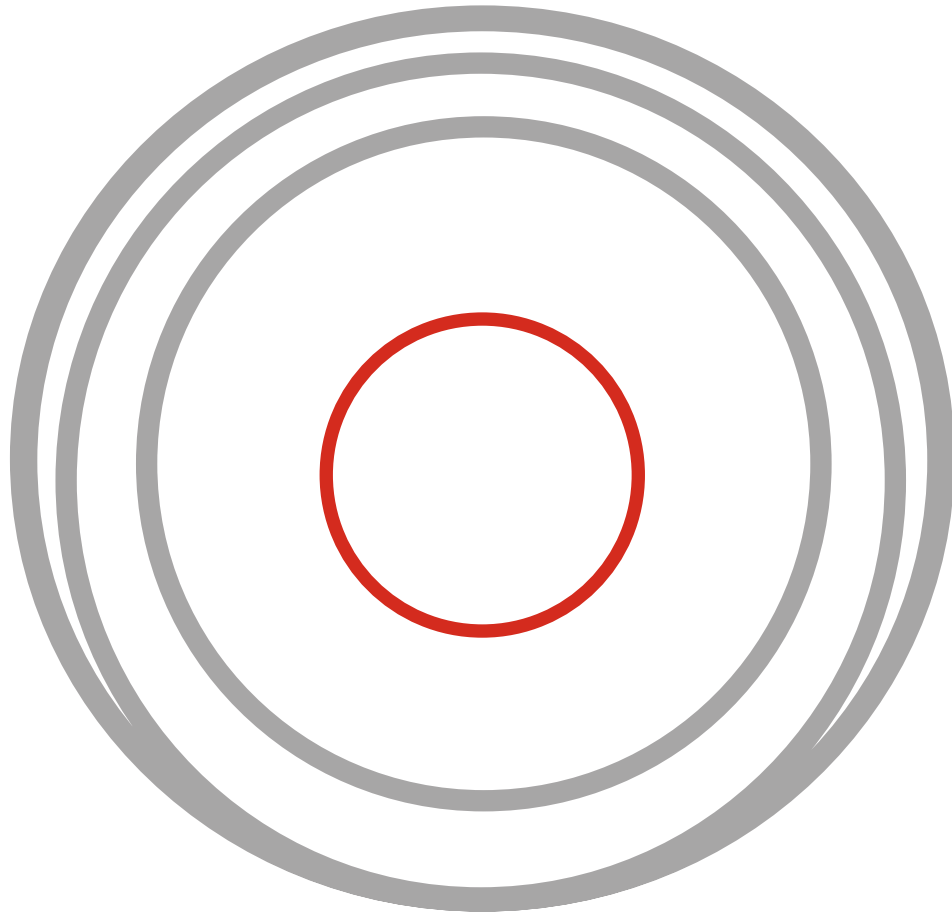
Download the Weber[®]
iGrill[®] App





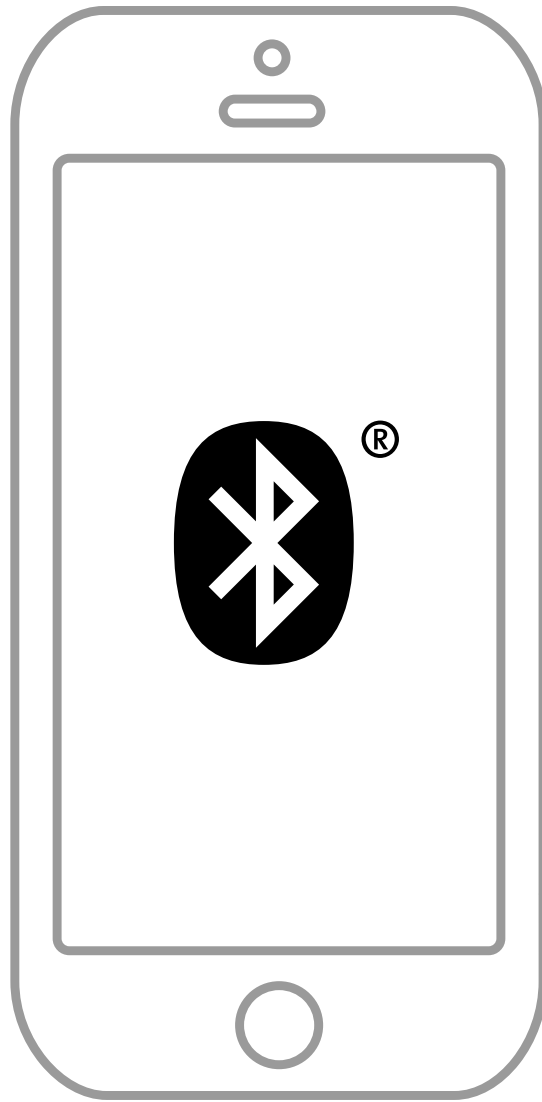
Remove top unit from
base, pull tab

2



Press and release the
power button

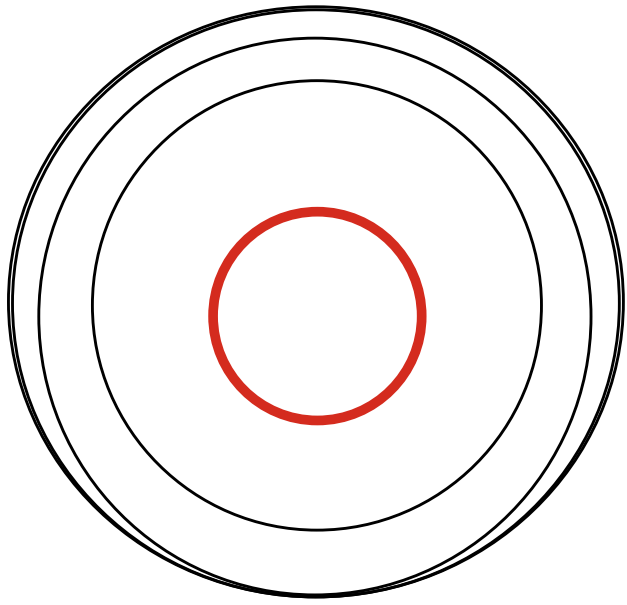
3



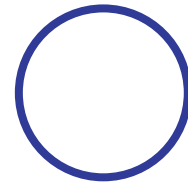
Launch app and connect
through Bluetooth®

4

Getting To Know Your
Kitchen
Thermometer
mini

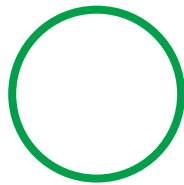


Connection

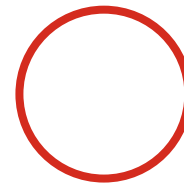
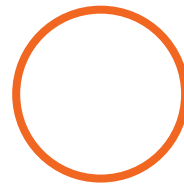
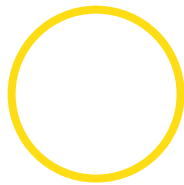


Flashing: Ready to pair
Solid for 5 seconds: Paired

Peak Preset

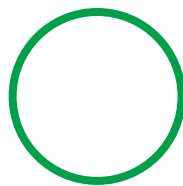


Initial

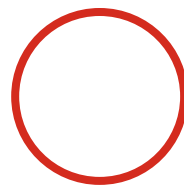


Target
(Flashing)

Range Preset



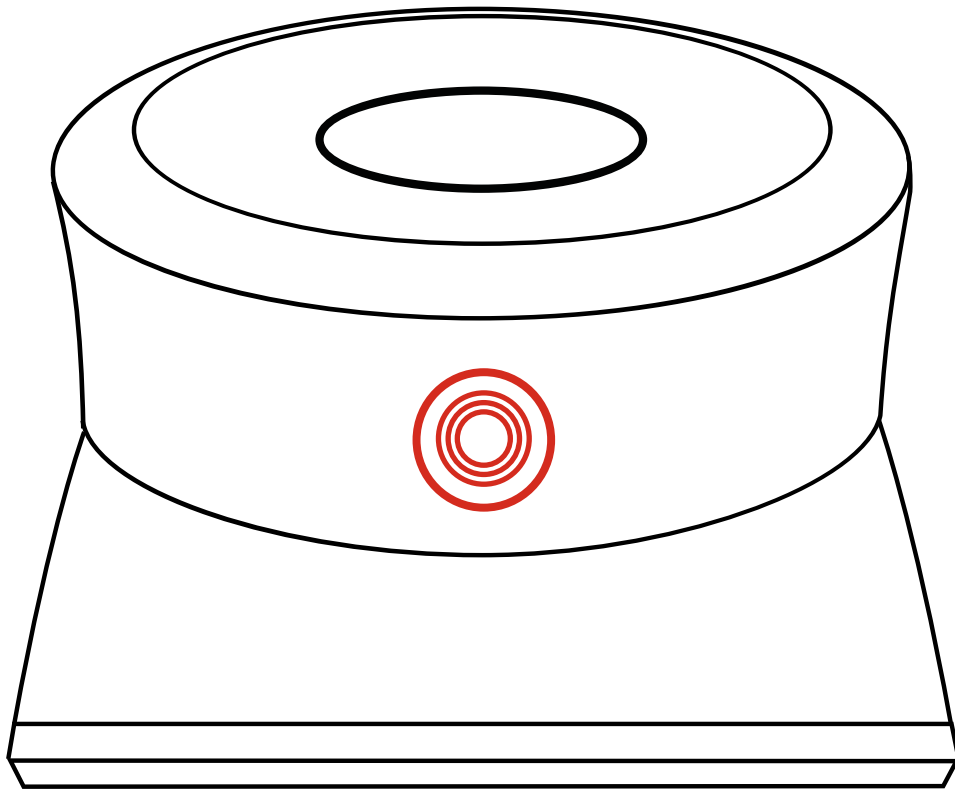
In



Out
(Flashing)

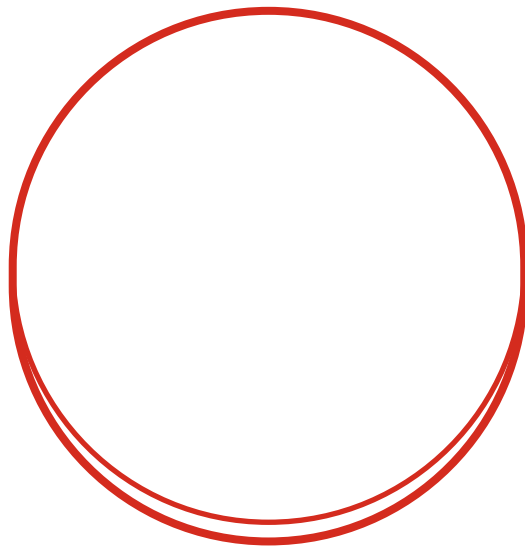
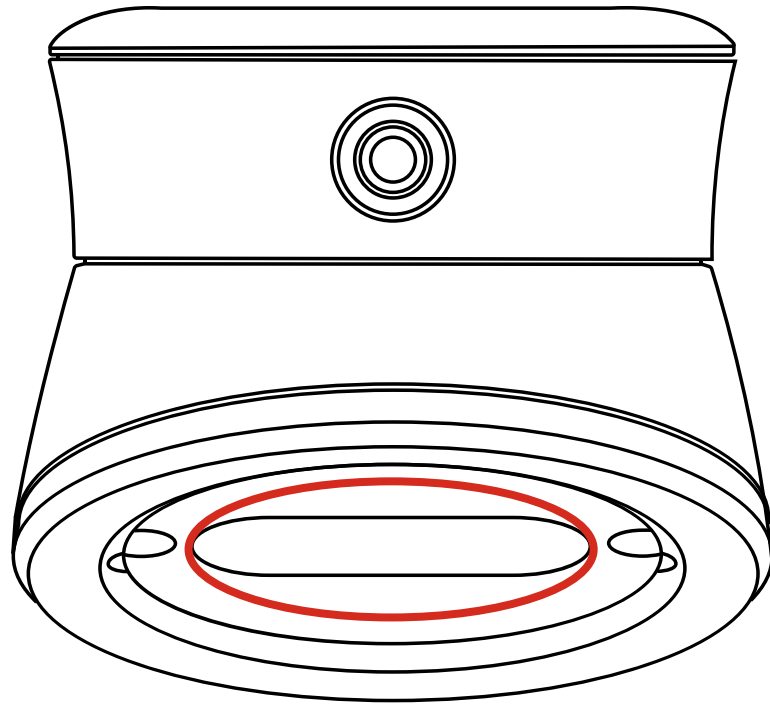
Smart LED

Indicates when paired, temperature progression and temperature out of range



Probe Insert

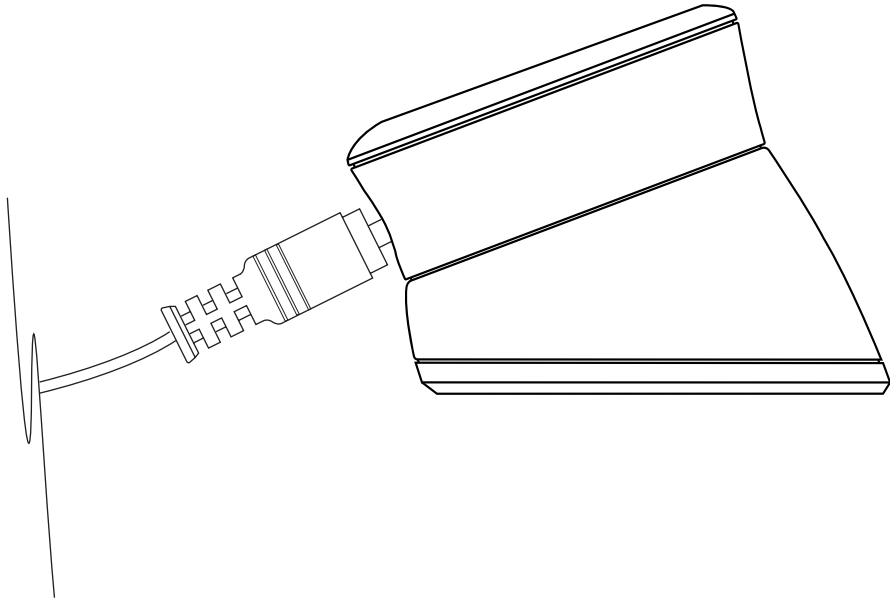
Single probe insert for meat probe or ambient temperature probe



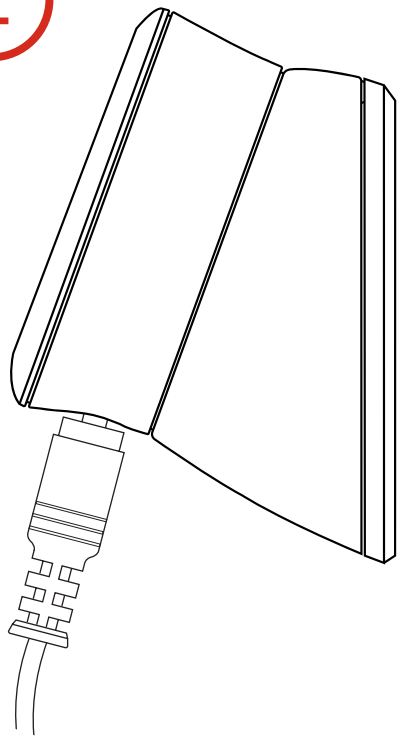
Magnetized Mounting

Place almost anywhere with built-in magnet or optional magnetic disc

1

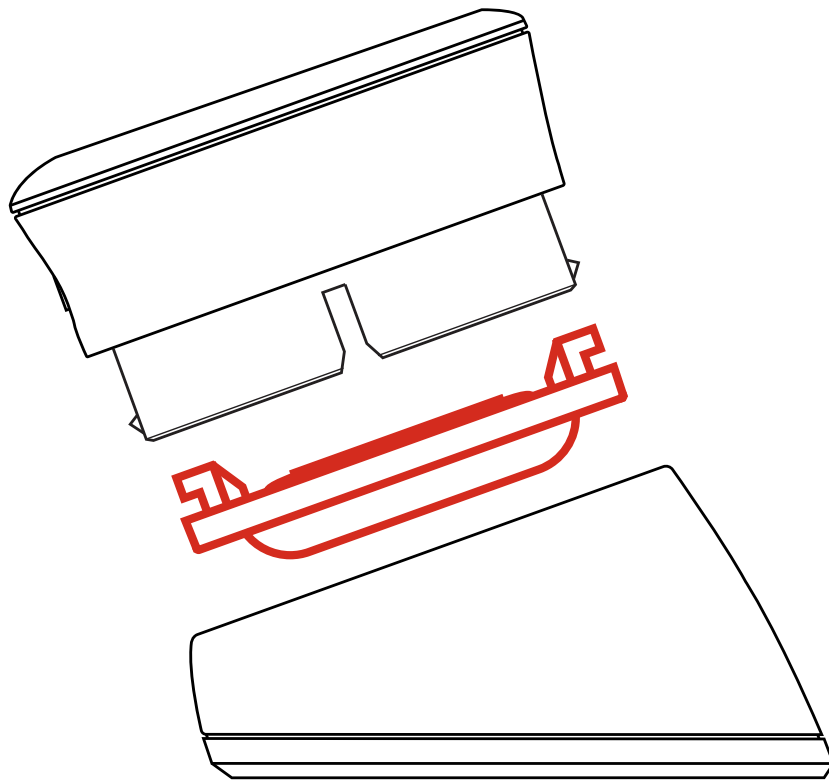


2



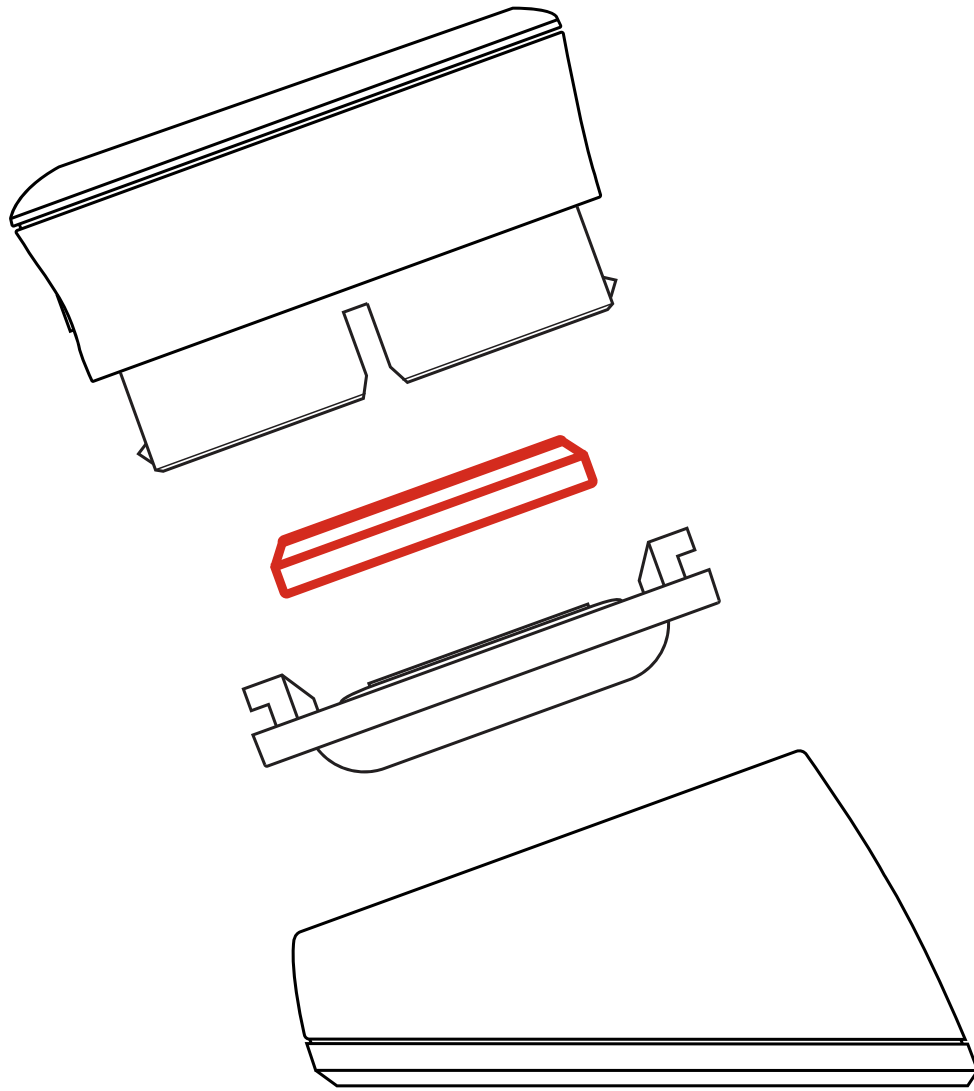
2 Viewing Angles

Choose from two viewing positions by rotating the main unit 180 degrees



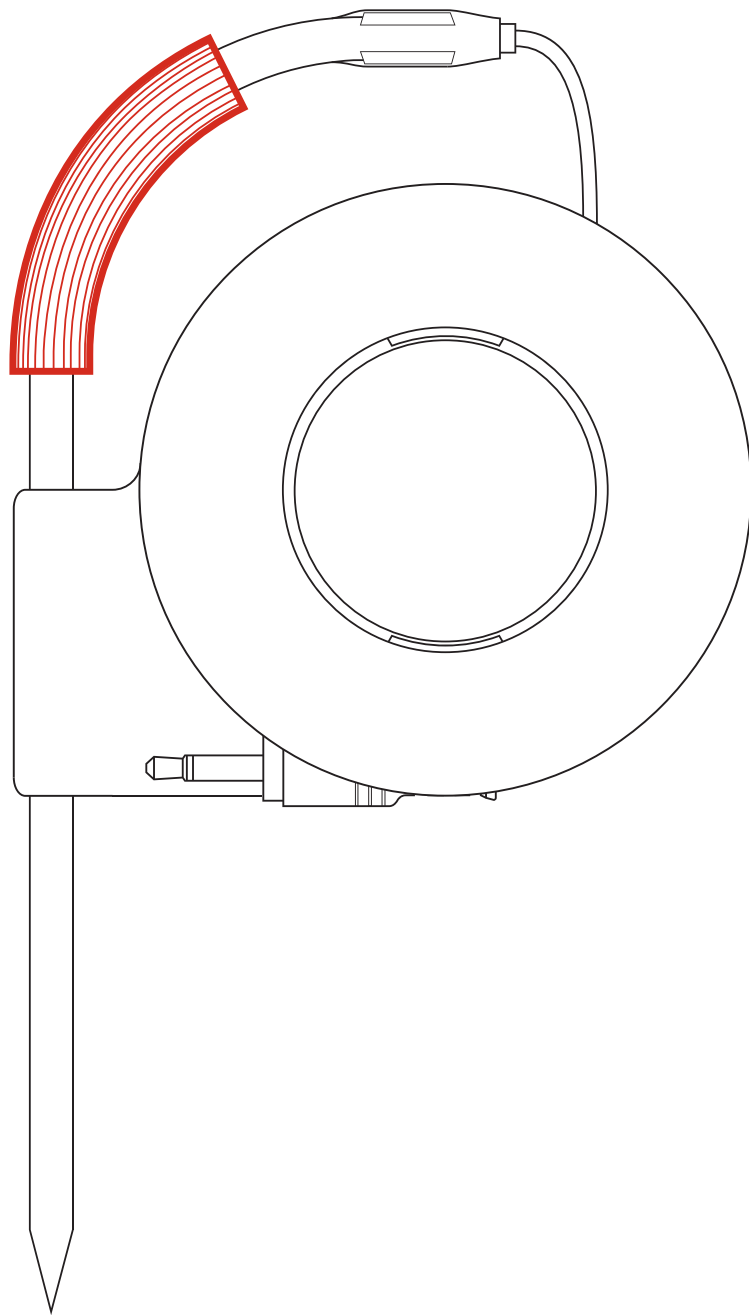
Battery Cover

Twist to remove



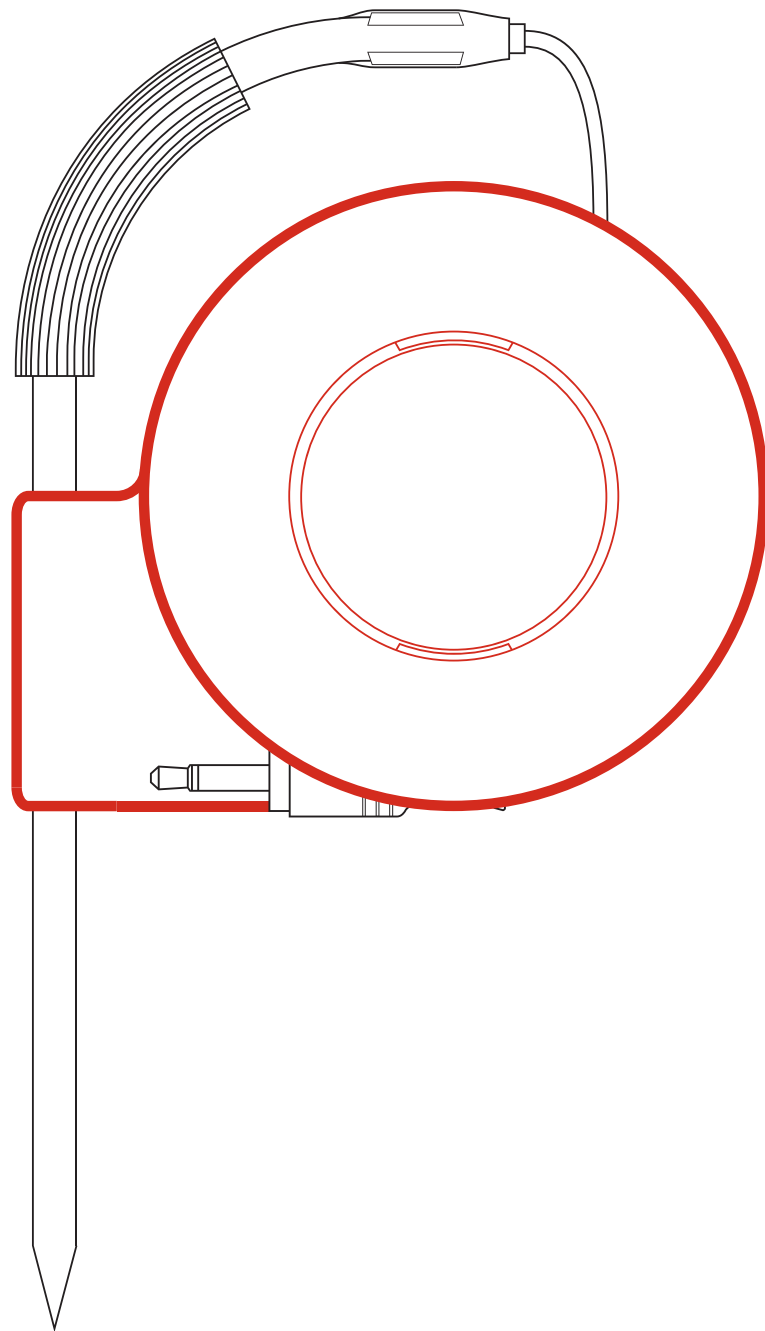
Battery

Replaceable CR2032 coin cell battery
(included)



Coloured Probe Indicator

Easily identify each probe reading within the app

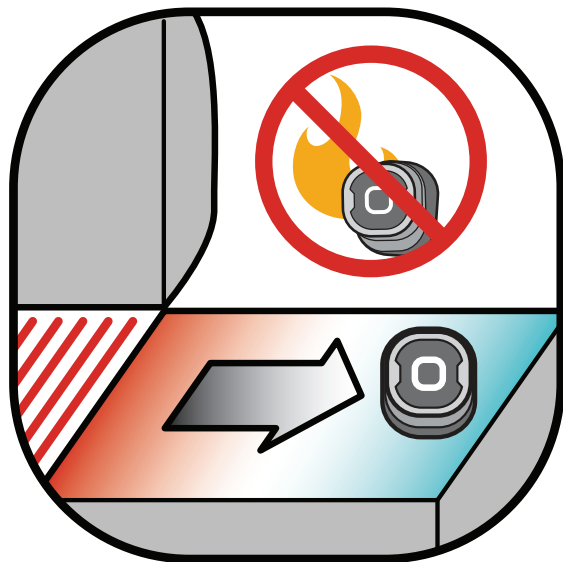


Probe Wrap

Neatly wrap and store your probes on the back of your unit when it's not in use

WARNING

Coloured probe indicators not intended to be used as heat safety grips. Probes are NOT dishwasher safe.



NOTE: The magnetic base is not designed to withstand high heat and it must be placed on a cool surface. If the surface is too hot to touch, it's too hot for the Weber® iGrill® base!

Supported Devices: App requires a Bluetooth® Smart Ready device. Check support.weber.com/igrill-support for a list of compatible devices.

Operation Is Subject To The Following Two Conditions:

(1) This device may not cause interference, and (2) This device must accept any interference, including interference that may cause undesired operation of this device.

App Store is a service mark of Apple Inc. The Bluetooth word mark and logos are registered trademarks owned by Bluetooth SIG Inc.

