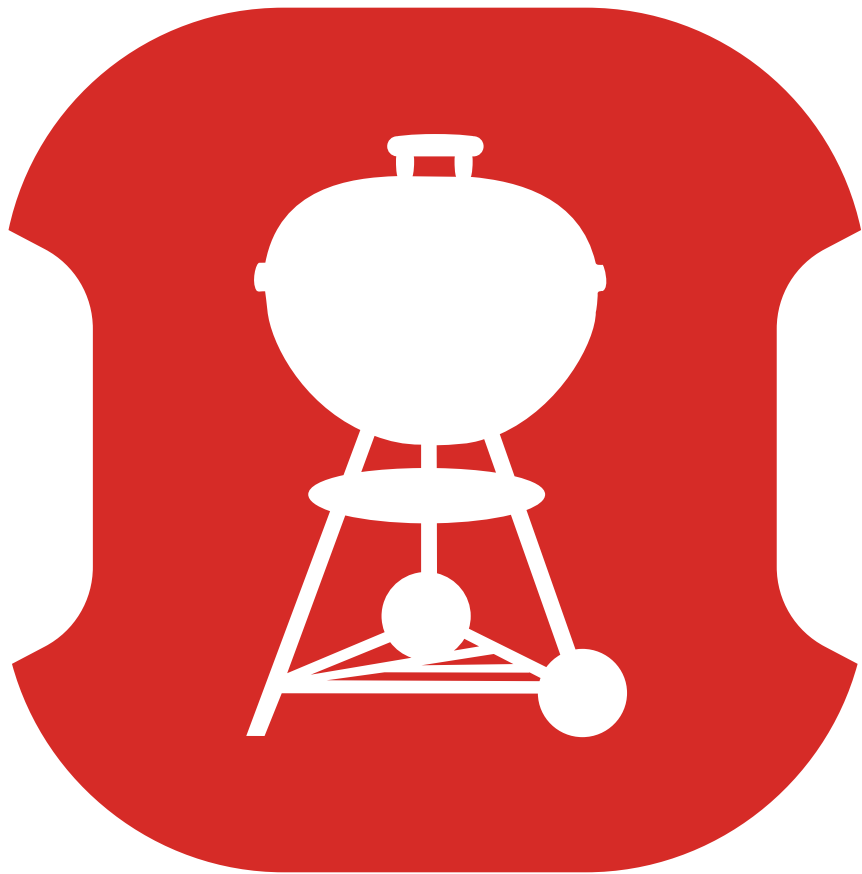




Welcome to

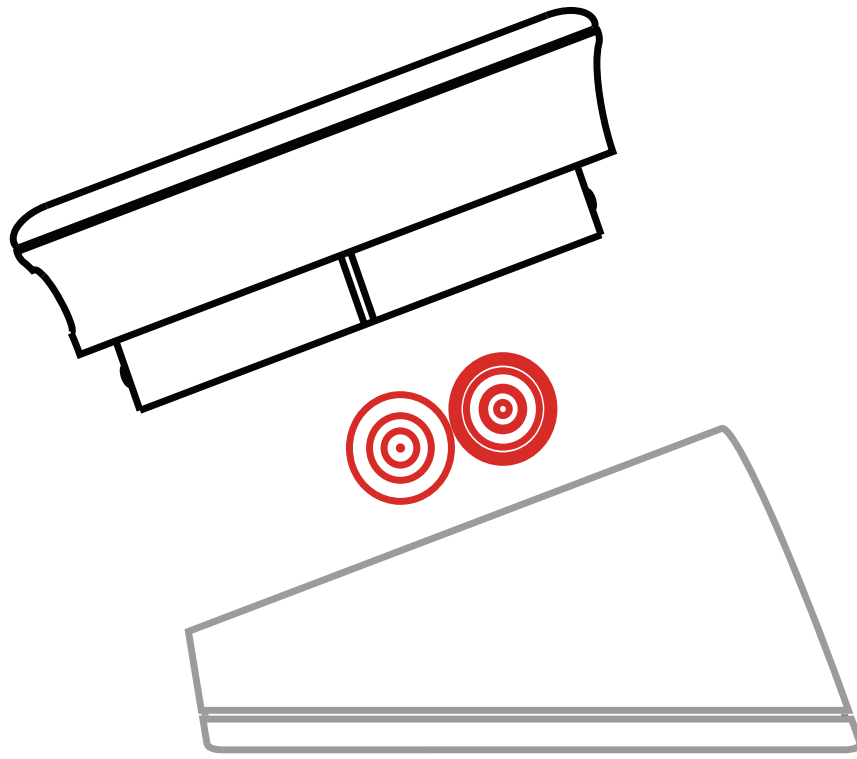
Kitchen
Thermometer

QUICK START GUIDE



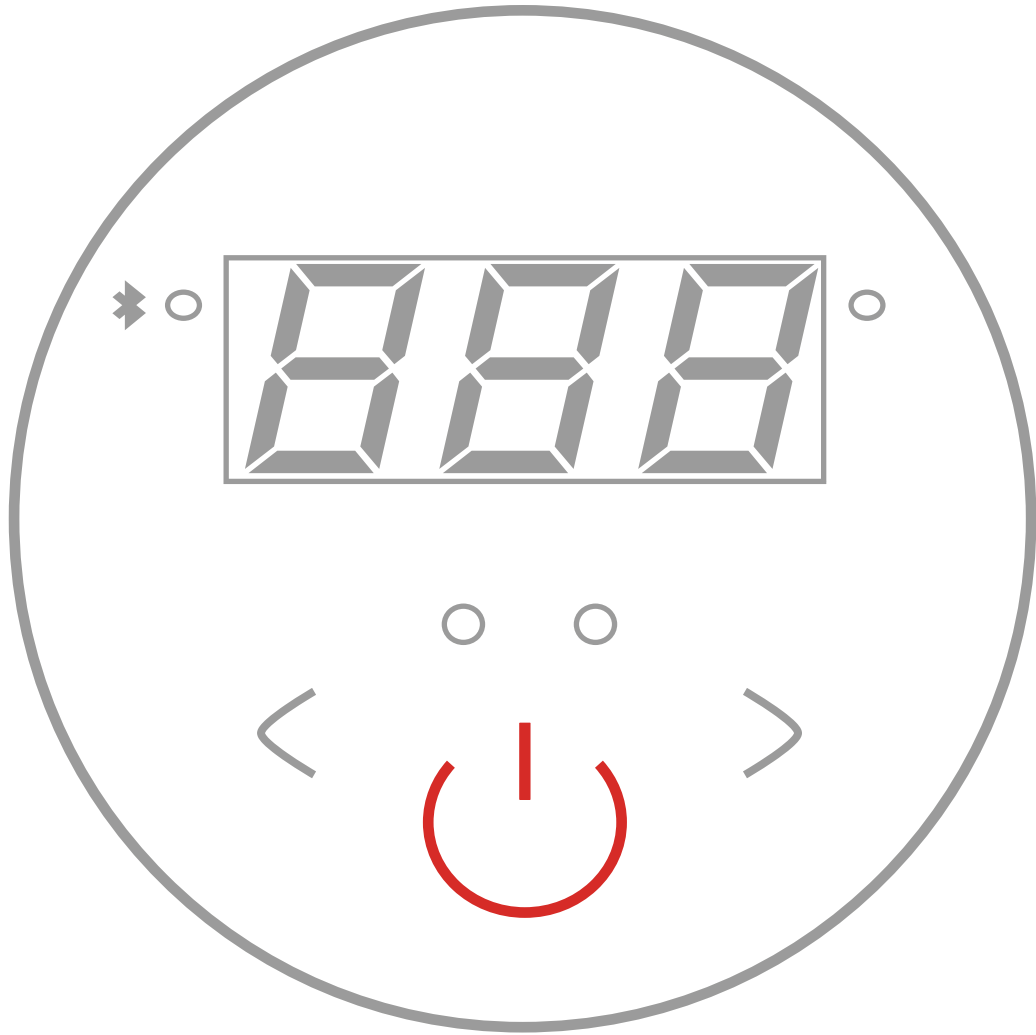
Download the
Weber[®] iGrill[®] app





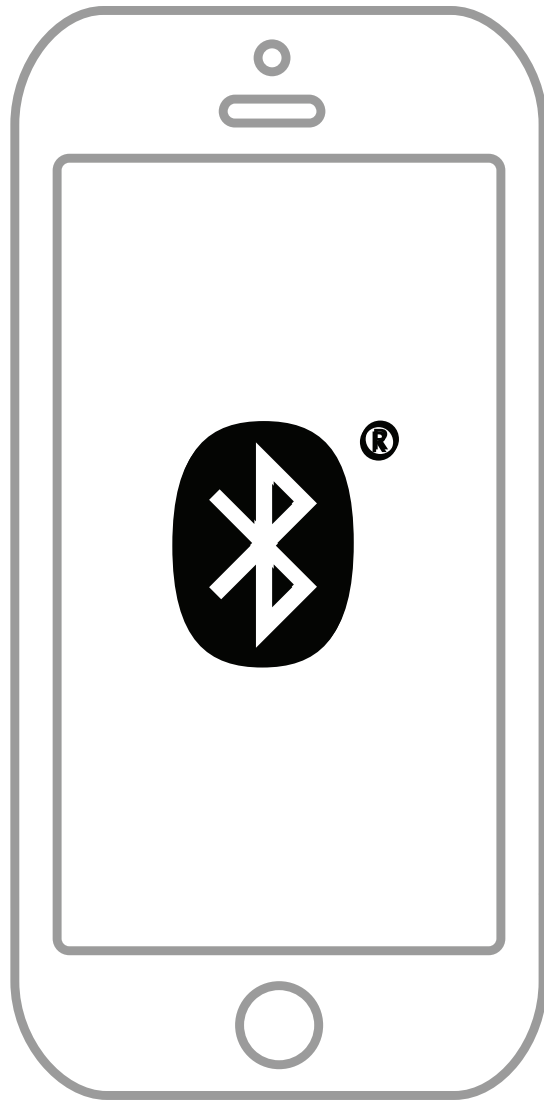
Remove top unit from
base, insert batteries

2



Press and release
the power button

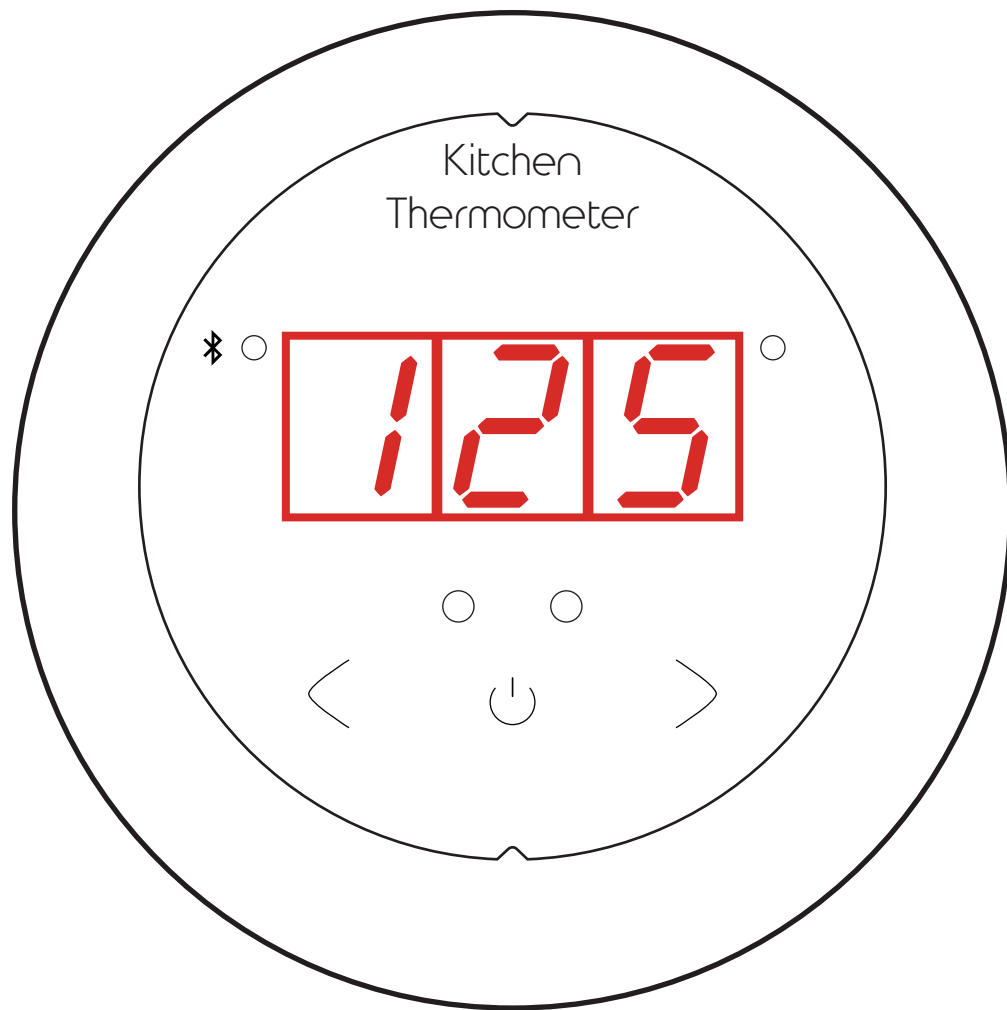
3



Launch app and connect
through Bluetooth®

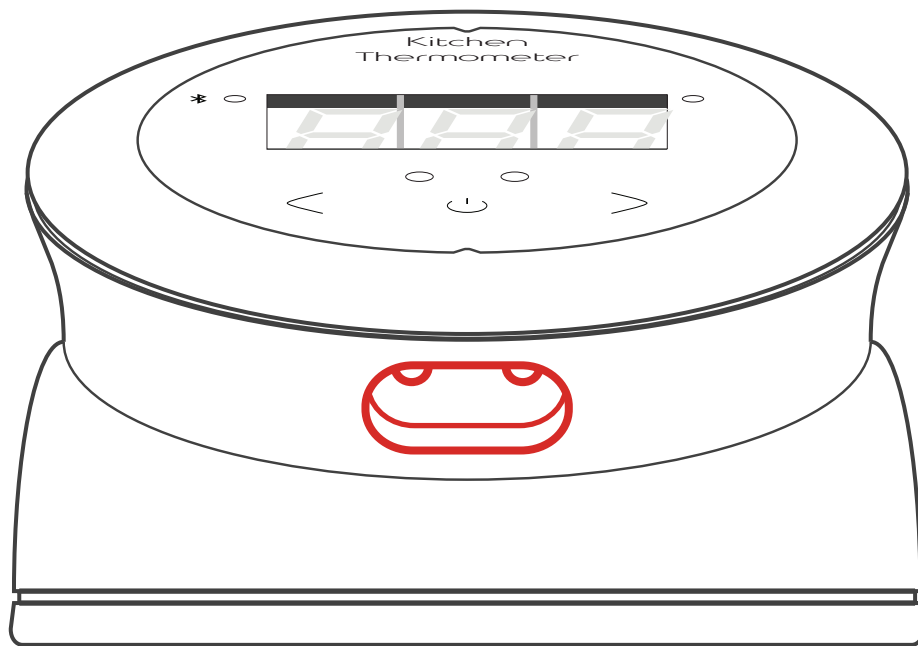
4

Getting To Know Your
Kitchen
Thermometer



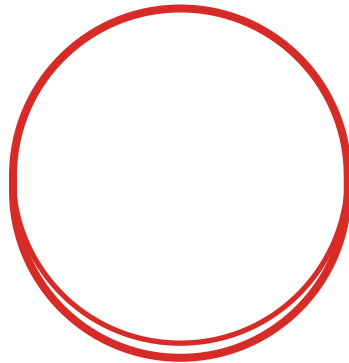
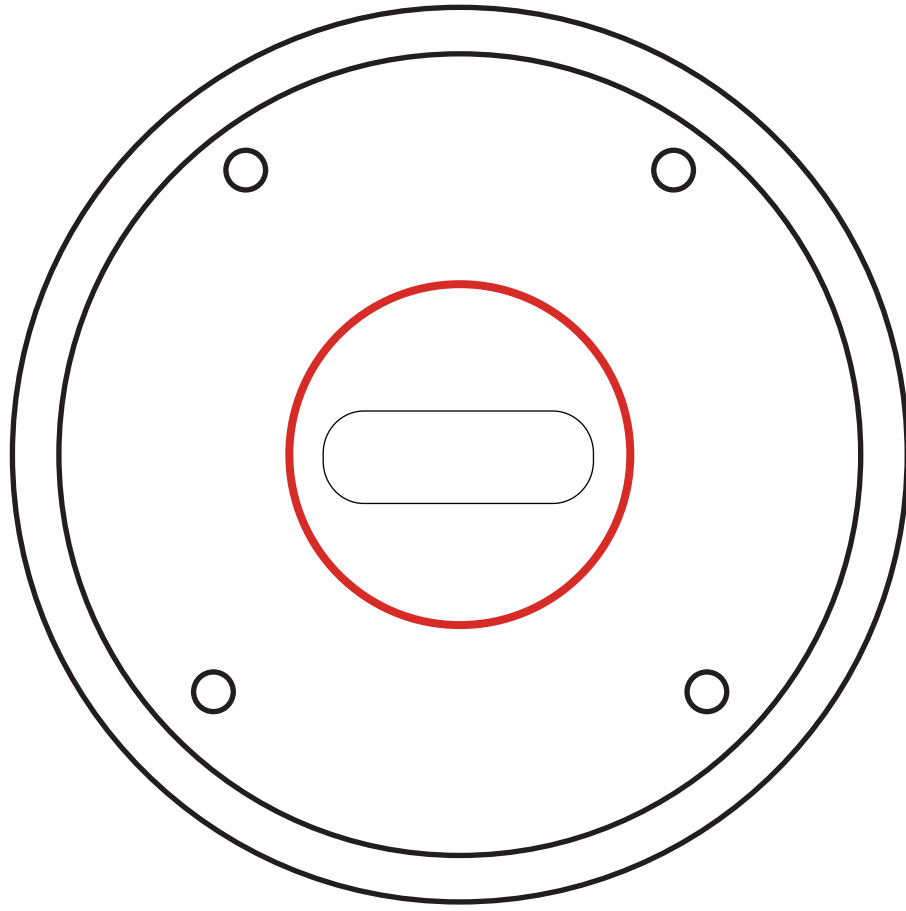
Smart Display

The display will illuminate once you smartphone/tablet is within range



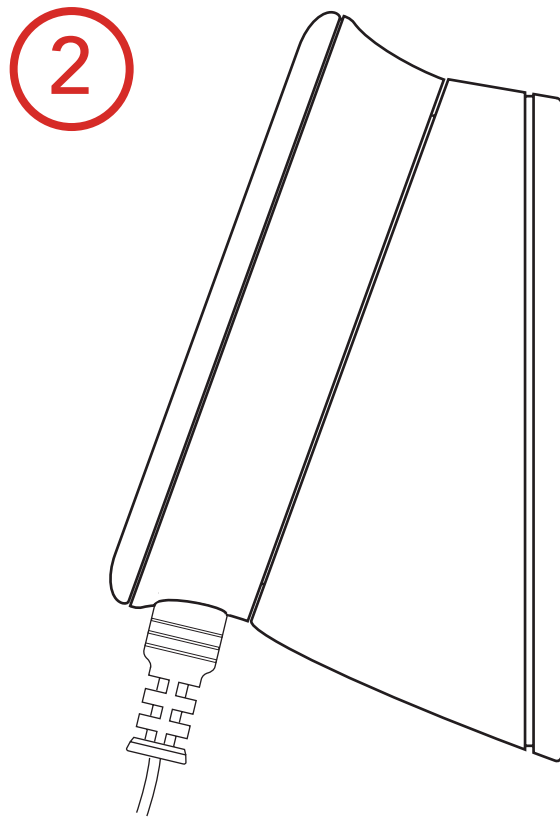
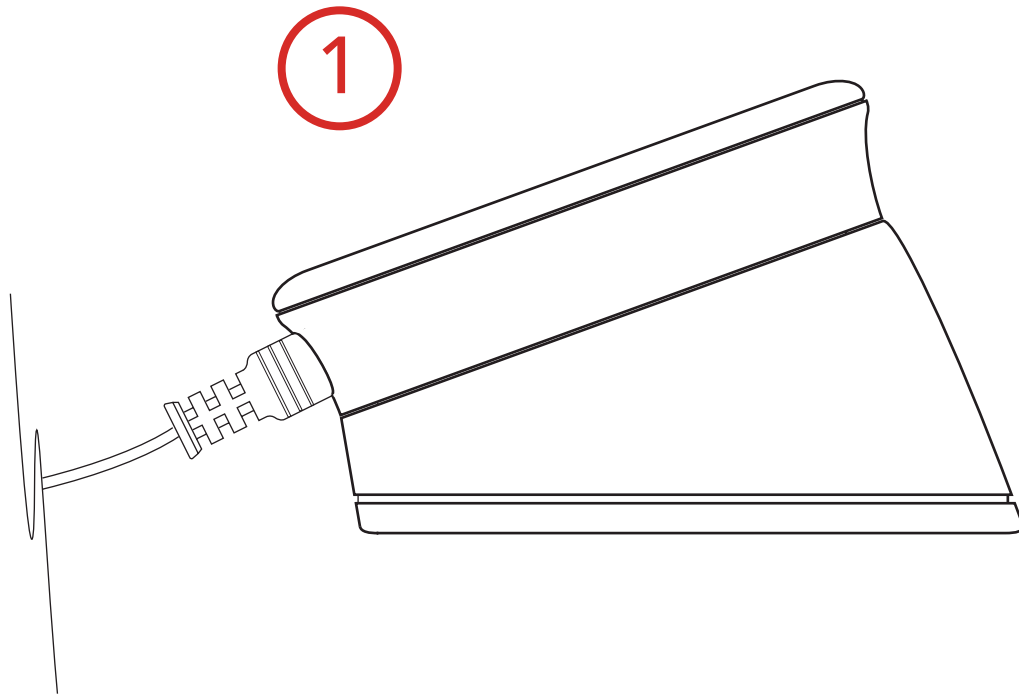
Probe Inserts

The device has two probe inserts so that you can monitor two temperatures at once



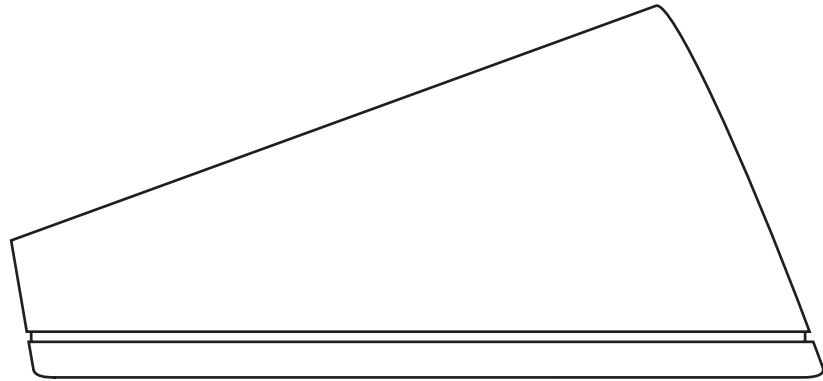
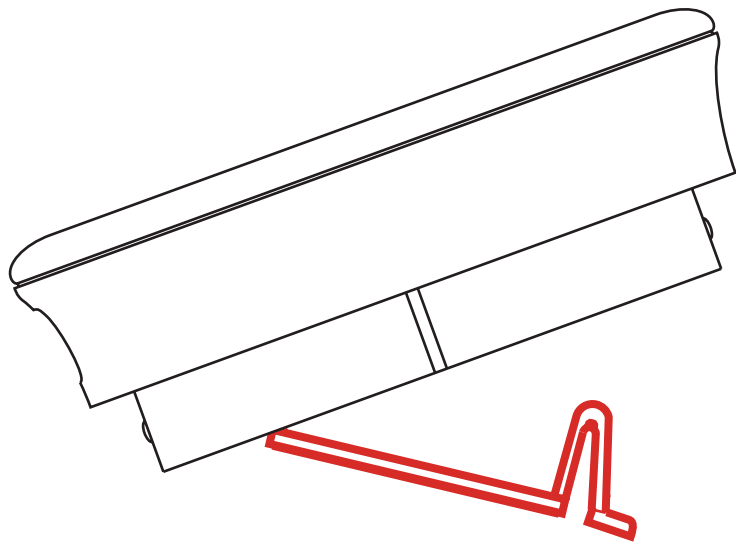
Magnetized Mounting

Place almost anywhere with built-in magnet or optional magnetic disc



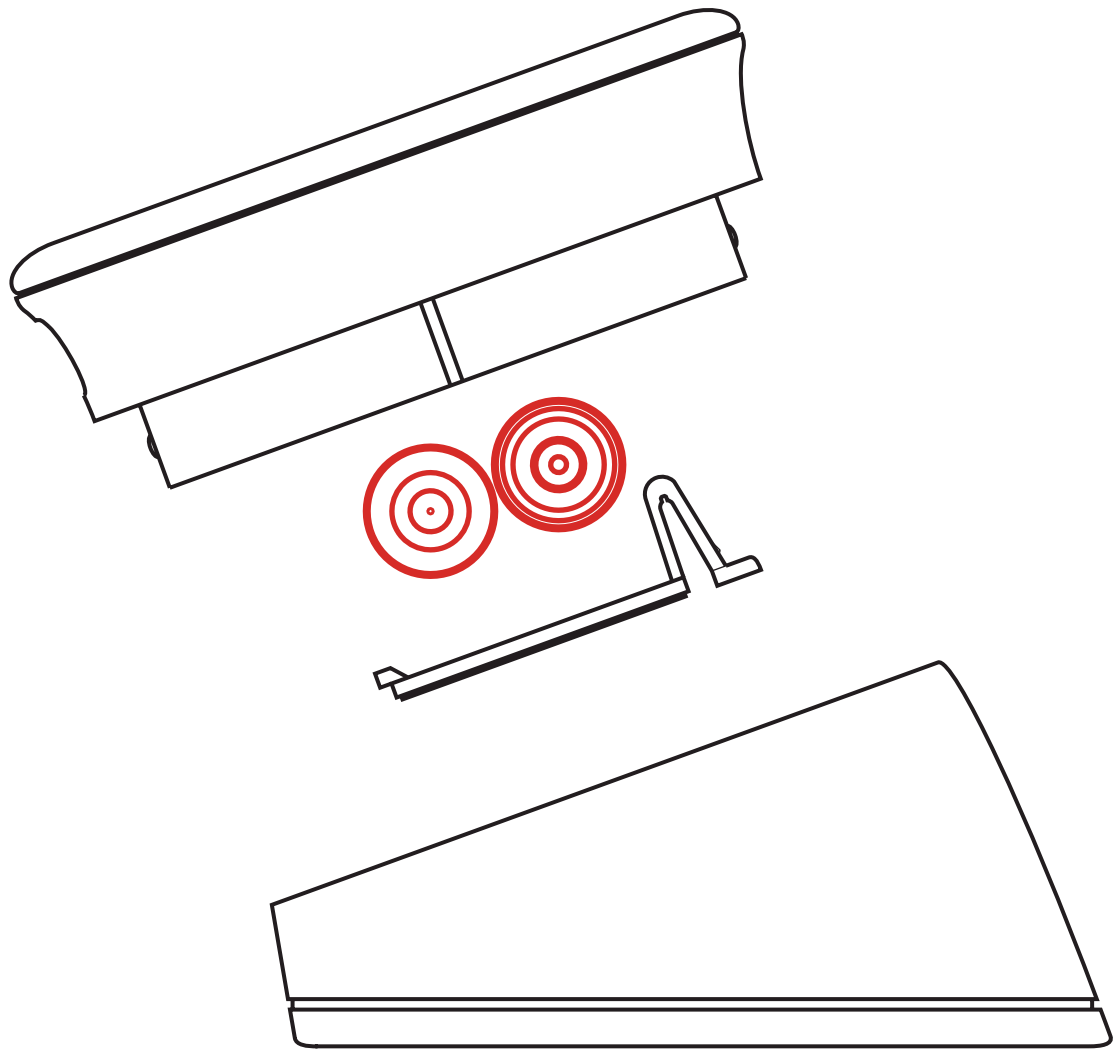
2 Viewing Angles

Choose from two viewing positions by rotating the main unit 180 degrees



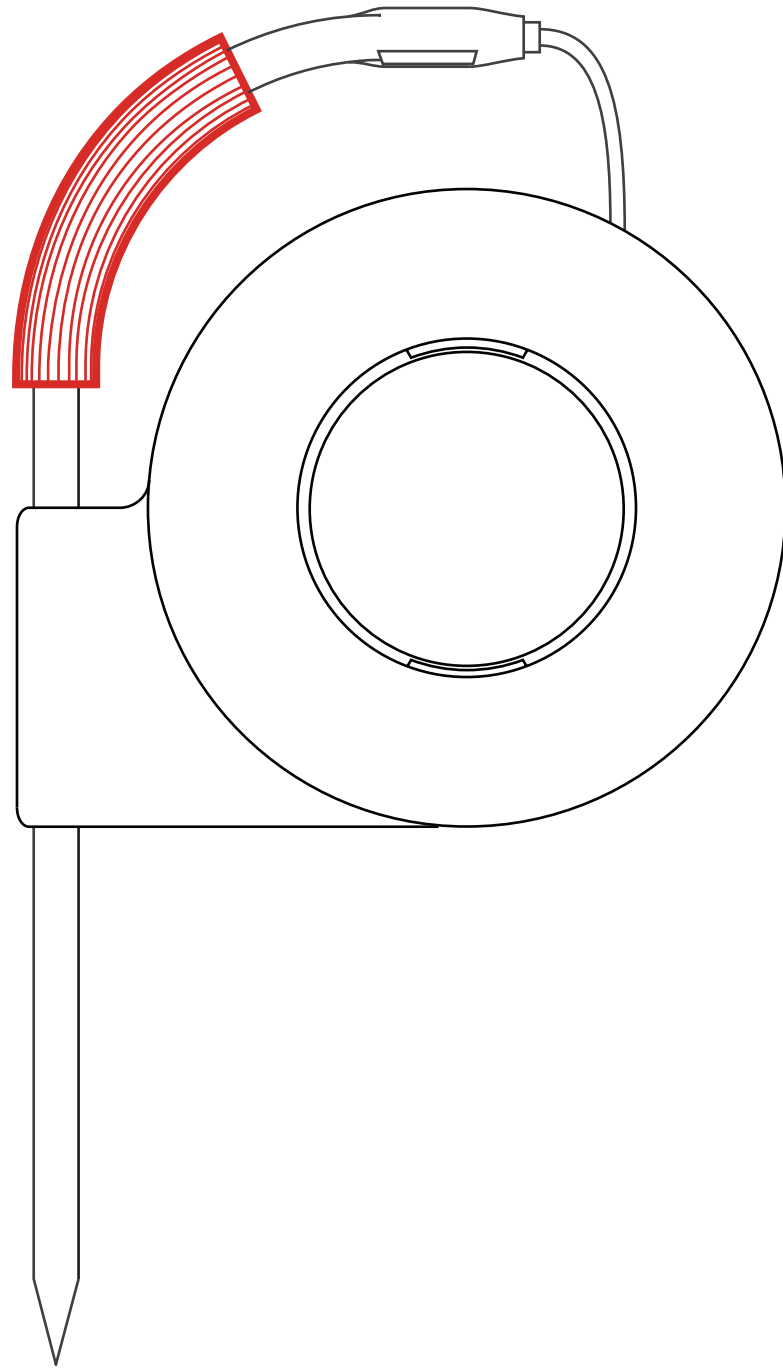
Battery Cover

Remove to insert batteries



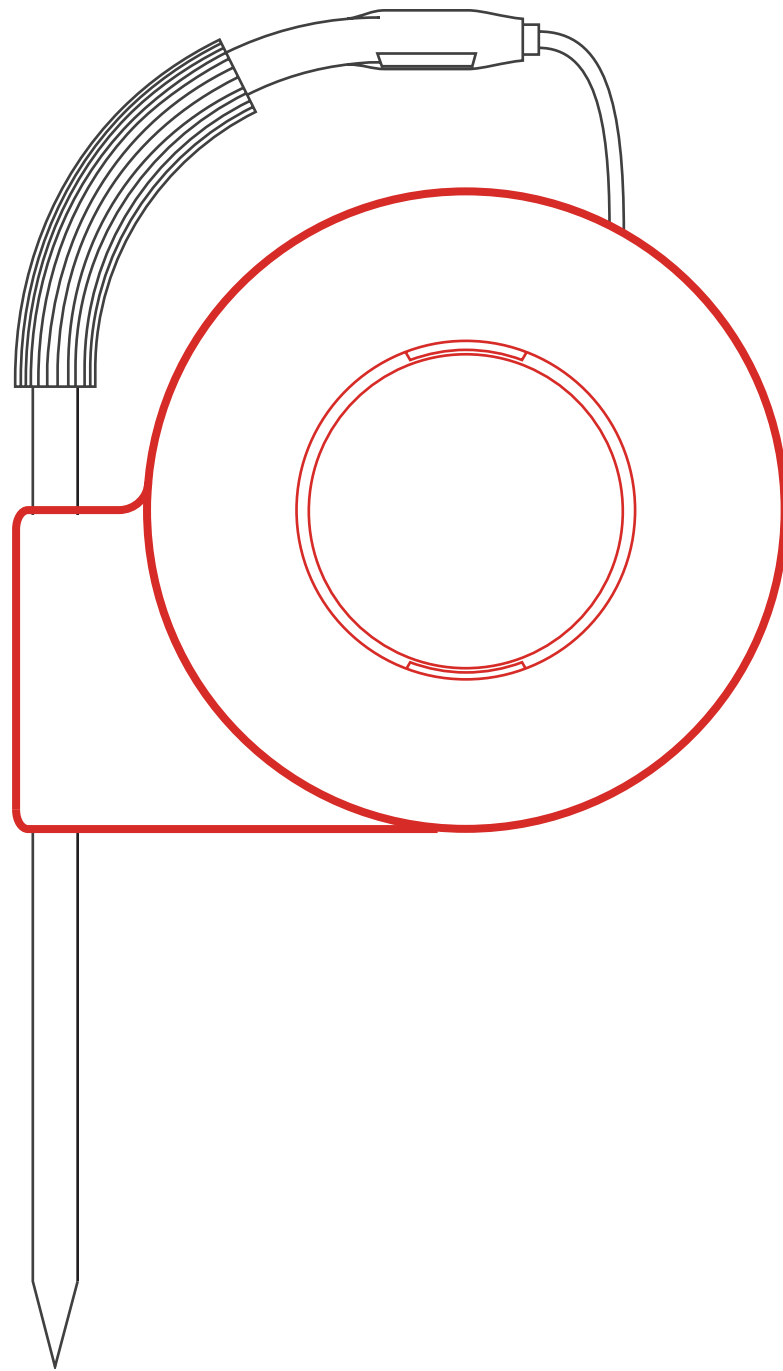
Battery

Requires 2 AA batteries (included)



Colored Probe Indicator

Easily identify each probe reading within the app

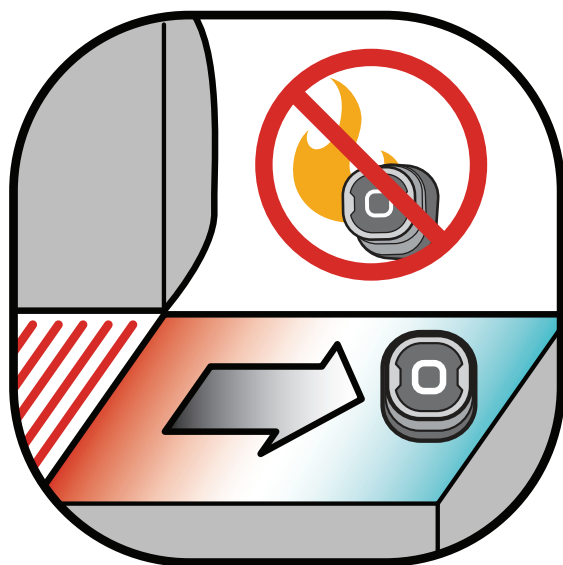


Probe Wrap

Neatly wrap and store your probes on the back of your unit when it's not in use

WARNING

Colored probe indicators not intended to be used as heat safety grips. Probes are NOT dishwasher safe.



NOTE: The magnetic base is not designed to withstand high heat and it must be placed on a cool surface. If the surface is too hot to touch, it's too hot for the Weber® iGrill® base!

Supported Devices: App requires a Bluetooth® Smart Ready device. Check support.weber.com/igrill-support for a list of compatible devices.

Operation Is Subject To The Following Two Conditions:

(1) This device may not cause interference, and (2) This device must accept any interference, including interference that may cause undesired operation of this device.

App Store is a service mark of Apple Inc. The Bluetooth word mark and logos are registered trademarks owned by Bluetooth SIG Inc.

